

**DURBIN INDUSTRIAL VALVE, Inc.**



Durbin 2-Way and 3-Way  
Soft-Seated 500 PSI Valves





## Durbin 2-Way and 3-Way Soft-Seated 500 PSI Valves

### Features:

Instrument Air:  
40 PSI (2.76 bar)

Maximum Pressure:  
500 PSI (34 bar)

Maximum Temperature:  
450° F (232° C)

Standard Port Sizes:  
1/2" - 1 1/4" NPT  
BSPT PORT SIZES ALSO AVAILABLE  
UPON REQUEST

For:  
Air  
Cold Water  
Hot Water  
Inert Gases  
Steam  
Vacuum Service



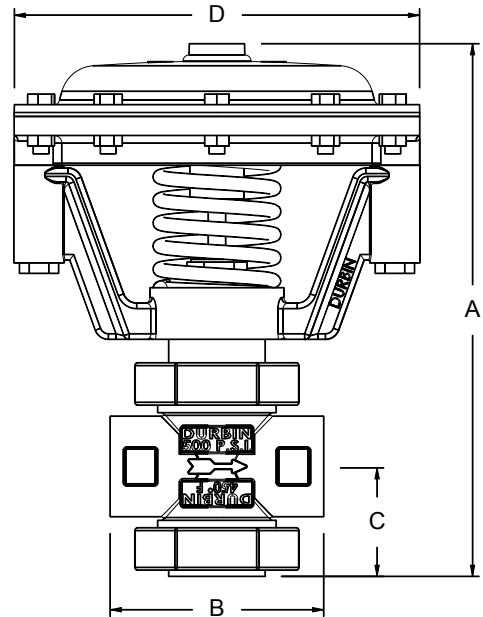
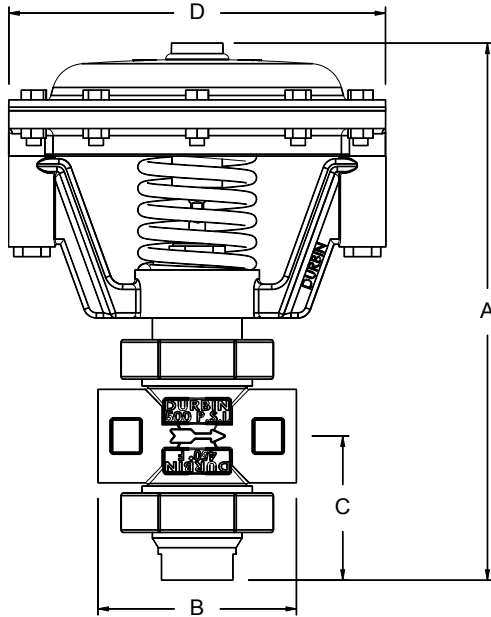
The Durbin 500 PSI line of valves is a durable, long-lasting, and cost-effective line that provides an alternative to the older Bronze-style process control valves. Building on years of experience of repairing other manufacturers valves, Durbin designed this line to outlast, outperform, and under price other valves in the market today.

This line is available for use with steam, hot and cold water, inert gases, air, and for use on vacuum systems. They are constructed of primarily stainless steel, and can be converted to fully stainless steel for use where only FDA approved stainless steel is required.

The Durbin 500 PSI line incorporates a high temperature, high strength thermal plastic for its soft seal disc. Each seal is machined from bar-stock to provide exceptional repeatability and dimensional control. The unique design of each seal provides a much longer lifespan, than compared to other soft-seals on the market which are molded from reinforced Teflon.



## Dimensional Data



ITEM		1/2"	3/4"	1"	1-1/4"
A	IN	10-1/2"	10-1/2"	12"	12"
B	IN	3-3/4"	3-3/4"	4-1/4"	4-1/4"
C	IN	2-3/4"	2-3/4"	3"	3"
D	IN	7"	7"	9-1/2"	9-1/2"

ITEM		1/2"	3/4"	1"	1-1/4"
A	IN	9-1/2"	9-1/2"	11-3/4"	11-3/4"
B	IN	3-3/4"	3 3/4"	4-1/4"	4-1/4"
C	IN	1-3/4"	1-3/4"	2-1/4"	2-1/4"
D	IN	7"	7"	9-1/2"	9-1/2"

VALVE	STYLE	SIZE	WEIGHT	
			LBS.	Kg.
D2621	3-W NC	1/2"	13.39	6.07
D2631	3-W NC	3/4"	13.15	5.96
D2641	3-W NC	1"	25.90	11.74
D2651	3-W NC	1-1/4"	24.74	11.20
D2820	2-W NO	1/2"	13.42	6.08
D2821	2-W NC	1/2"	13.60	6.16
D2830	2-W NO	3/4"	13.17	5.97
D2831	2-W NC	3/4"	13.15	5.96
D2840	2-W NO	1"	26.07	11.82
D2841	2-W NC	1"	25.90	11.74
D2850	2-W NO	1-1/4"	25.75	11.68
D2851	2-W NC	1-1/4"	24.74	11.22

D	2			
---	---	--	--	--

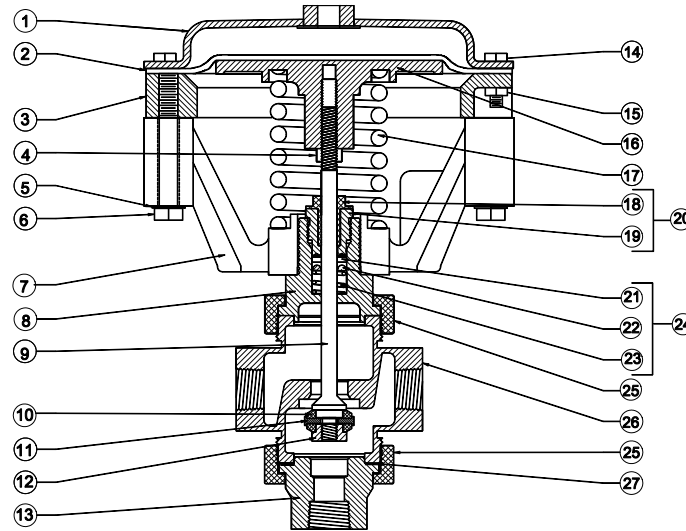
6 = 3-W  
 8 = 2-W

2 = 1/2"  
 3 = 3/4"  
 4 = 1"  
 5 = 1-1/4"

0 = NO  
 1 = NC



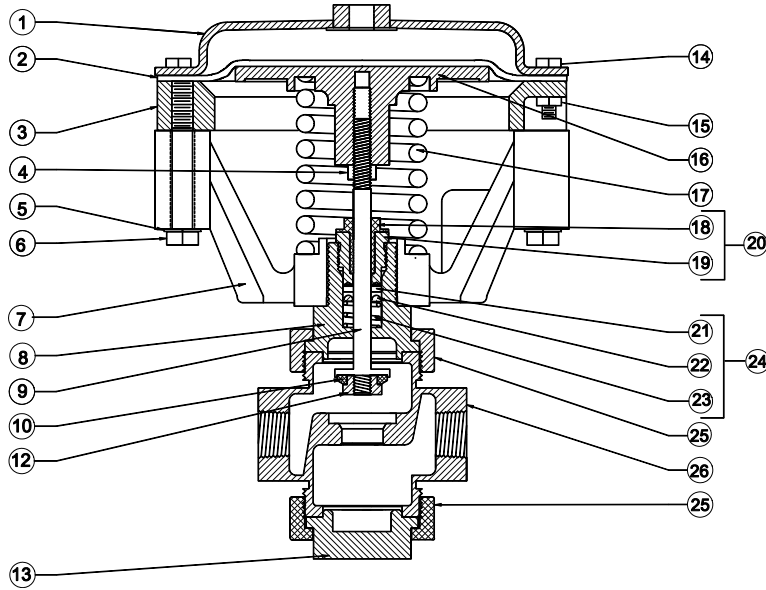
# DURBIN VALVE



3-WAY NC 500 PSI		VALVE			
ITEM	DESCRIPTION	D2621	D2631	D2641	D2651
1	COVER	C293-023D	C293-023D	C293-030D	C293-030D
2*	DIAPHRAGM	C333-053D	C333-053D	C333-051D	C333-051D
3	RING S.S.	C893-014D	C893-014D	C893-022D	C893-022D
4	STEM HEX NUT	C133-008D	C133-008D	-	-
5	LOCK WASHER	H175-21D	H175-21D	H175-21D	H175-21D
6	HEX BOLT	H096-55D	H096-55D	H096-49D	H096-49D
7	YOKE S.S.	D283-025D	D283-025D	D283-062D	D283-062D
8	PACKING GLAND/ADAPTER	C113-058D	C113-058D	C013-008D	C013-008D
9	STEM	D093-024D	D093-024D	D093-025D	D093-025D
10*	SEAL (X2)	C343-12 VP	C343-12 VP	C343-35 VP	C343-35 VP
11	STEM WASHER	C353-012D	C353-012D	C353-013D	C353-013D
12	STEM NUT	C553-022D	C553-022D	C553-024D	C553-024D
13	BOTTOM SEAT	C963-032D	C963-050D	C963-053D	C963-051D
14	HEX BOLT	H096-10D	H096-10D	H096-10D	H096-10D
15	HEX NUT	H060-03D	H060-03D	H060-03D	H060-03D
16	DIAPHRAGM PISTON	C783-044D	C783-044D	C783-069D	C783-069D
17*	DIAPHRAGM SPRING	D293-028-5D	D293-028-5D	D293-147-5D	D293-147-5D
18	PACKING NUT BUSH	VP524	VP524	DF524	DF524
19	PACKING NUT	C853-092D	C853-092D	C563-009D	C563-009D
20	PACKING NUT ASSEMBLY	C853-090D	C853-090D	-	-
21*	PACKERS (X3)	C683-069D	C683-069D	H237-03D	H272-03D
22*	PACKING SPREADER	C713-012D	C713-012D	-	-
23*	PACKING SPRING	D293-104D	D293-104D	-	-
24	PACKING KIT	C242-015D	C242-015D	-	-
25	UNION NUTS S.S. (X2)	C663-022D	C663-022D	C663-026D	C663-026D
26	BODY S.S.	VP400	VP401	DB506	DB507
27*	BODY GASKET (X1)	C383-080D	C383-080D	C383-082D	C383-082D
	SERVICE KIT	D621	D631	D641	D651

\*Included in service kit

# DURBIN VALVE

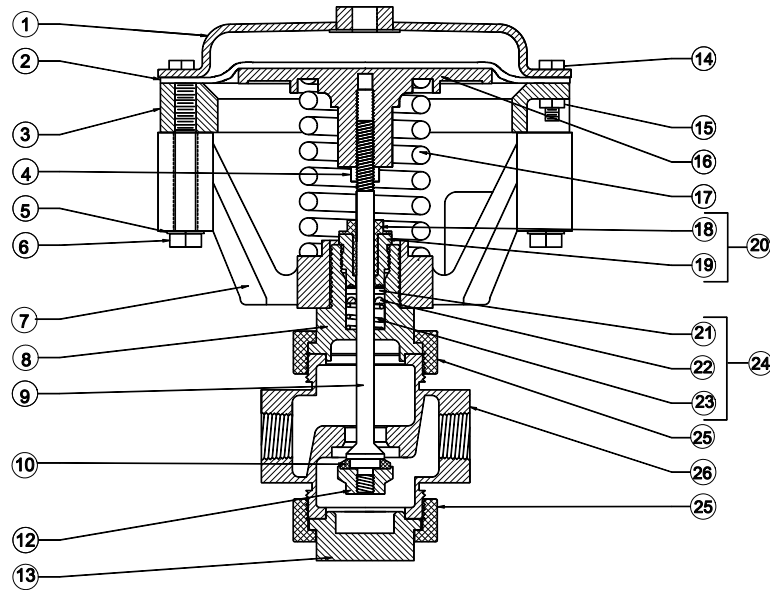


2-WAY NO 500 PSI		VALVE			
ITEM	DESCRIPTION	D2820	D2830	D2840	D2850
1	COVER	C293-023D	C293-023D	C293-030D	C293-030D
2*	DIAPHRAGM	C333-053D	C333-053D	C333-051D	C333-051D
3	RING	C893-014D	C893-014D	C893-022D	C893-022D
4	STEM HEX NUT	C133-008D	C133-008D	-	-
5	LOCK WASHER	H175-21D	H175-21D	H175-21D	H175-21D
6	HEX BOLT	H096-55D	H096-55D	H096-48D	H096-48D
7	YOKE	D283-025D	D283-025D	D283-062D	D283-062D
8	PACKING GLAND	C113-058D	C113-058D	C013-008D	C013-008D
9	STEM	D093-028D	D093-028D	D093-026D	D093-026D
10*	SEAL	C343-12 VP	C343-12 VP	C343-35 VP	C343-35 VP
11	STEM NUT	C553-022D	C553-022D	C553-024D	C553-024D
12	BOTTOM CAP	C213-016D	C213-016D	C213-020D	C213-020D
13	HEX BOLT	H096-10D	H096-10D	H096-10D	H096-10D
14	HEX NUT	H060-03D	H060-03D	H060-03D	H060-03D
15	DIAPHRAGM PISTON	C783-044D	C783-044D	C783-069D	C783-069D
16*	DIAPHRAGM SPRING	D293-028-5D	D293-028-5D	D293-147-5D	D293-147-5D
17	PACKING NUT BUSHING	VP524	VP524	DF524	DF524
18	PACKING NUT	C853-090D	C853-090D	C563-009D	C563-009D
19	PACKING NUT ASSEMBLY	C853-092D	C853-092D	-	-
20*	PACKERS	C683-069D	C683-069D	H272-03D	H272-03D
21*	PACKING SPREADER	C713-012D	C713-012D	-	-
22*	PACKING SPRING	D293-104D	D293-104D	-	-
23	PACKING KIT	C242-015D	C242-015D	-	-
24	UNION NUTS	C663-022D	C663-022D	C663-026D	C663-026D
25	BODY	VP400	VP401	DB506	DB507
	SERVICE KIT	D820	D830	D840	D850

\*Included in service kit



# DURBIN VALVE



2-WAY NC 500 PSI		VALVE			
ITEM	DESCRIPTION	D2821	D2831	D2841	D2851
1	COVER	C293-023D	C293-023D	C293-030D	C293-030D
2*	DIAPHRAGM	C333-053D	C333-053D	C333-051D	C333-051D
3	RING	C893-014D	C893-014D	C893-022D	C893-022D
4	STEM HEX NUT	C133-008D	C133-008D	-	-
5	LOCK WASHER	H175-21D	H175-21D	H175-21D	H175-21D
6	HEX BOLT	H096-55D	H096-55D	H096-48D	H096-48D
7	YOKE	D283-025D	D283-025D	D283-062D	D283-062D
8	PACKING GLAND	C113-058D	C113-058D	C013-008D	C013-008D
9	STEM	D093-024D	D093-024D	D093-025D	D093-025D
10*	SEAL	C343-12 VP	C343-12 VP	C343-35 VP	C343-35 VP
11	STEM NUT	C553-019D	C553-019D	C553-023D	C553-023D
12	BOTTOM CAP	C213-016D	C213-016D	C213-020D	C213-020D
13	HEX BOLT	H096-10D	H096-10D	H096-10D	H096-10D
14	HEX NUT	H060-03D	H060-03D	H060-03D	H060-03D
15	DIAPHRAGM PISTON	C783-044D	C783-044D	C783-069D	C783-069D
16*	DIAPHRAGM SPRING	D293-028-5D	D293-028-5D	D293-147-5D	D293-147-5D
17	PACKING NUT BUSHING	VP524	VP524	DF524	DF524
18	PACKING NUT	C853-090D	C853-090D	C563-009D	C563-009D
19	PACKING NUT ASSEMBLY	C853-092D	C853-092D	-	-
20*	PACKERS	C683-069D	C683-069D	H272-03D	H272-03D
21*	PACKING SPREADER	C713-012D	C713-012D	-	-
22*	PACKING SPRING	D293-104D	D293-104D	-	-
23	PACKING KIT	C242-015D	C242-015D	-	-
24	UNION NUTS	C663-022D	C663-022D	C663-026D	C663-026D
25	BODY	VP400	VP401	DB506	DB507
	SERVICE KIT	D821	D831	D841	D851

\*Included in service kit