

DURBIN INDUSTRIAL VALVE, Inc.



Durbin Hydraulic Valve





Durbin Hydraulic Valve

Features:

Instrument Air:
40 PSI (2.76 bar)

Available in:
4000 PSI (Max Pressure)
6000 PSI (Max Pressure)

Maximum Temperature:
450° F (232° C)

Standard Port Sizes:
1/2" - 3/4" NPT

BSPT PORT SIZES ALSO AVAILABLE UPON REQUEST

For:
Petroleum Based Products
Cold Water
Hot Water

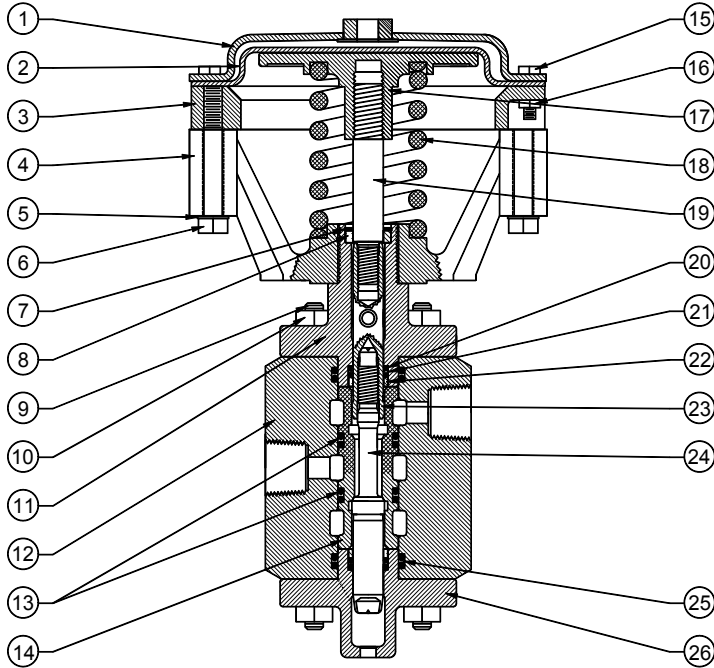


The Durbin hydraulic series provides the reliability needed for long term service. Building on years of experience servicing similar type hydraulic valves, Durbin designed this series to outlast its competitors while staying competitive in today's market.

BODY & YOKE CONSTRUCTION

All of the Durbin hydraulic series valve bodies are constructed of billet stainless steel. This rugged material was chosen due to its ability to withstand the cutting effect caused by high velocity fluid. All components of the trim in this series are constructed from 17-4 ph stainless steel. This high grade stainless provides both high strength and corrosion resistance in even the harshest environments.

DURBIN VALVE



Weight

WEIGHT	LBS	Kg.
D4621	30.95	14.0
D4631	31.72	14.2
D4820	31.05	14.1
D4821	31.05	14.1
D4830	30.95	14.0
D4831	30.95	14.0

Parts List

ITEM	DESCRIPTION	D4820	D4821	D4830	D4831	D4621	D4631
		1/2" N/O	1/2" N/C	3/4" N/O	3/4" N/C	1/2" N/C	3/4" N/C
1	COVER	C293-023D	C293-023D	C293-023D	C293-023D	C293-023D	C293-023D
2	DIAPHRAGM	C333-017D	C333-017D	C333-017D	C333-017D	C333-017D	C333-017D
3	RING	C893-014D	C893-014D	C893-014D	C893-014D	C893-014D	C893-014D
4	YOKE	D283-025D	D283-025D	D283-025D	D283-025D	D283-025D	D283-025D
5	LOCK WASHER	H175-21D	H175-21D	H175-21D	H175-21D	H175-21D	H175-21D
6	HEX BOLT	H096-55D	H096-55D	H096-55D	H096-55D	H096-55D	H096-55D
7	RETAINING RING	H090-19D	H090-19D	H090-19D	H090-19D	H090-19D	H090-19D
8	THERMAL BUSHING	C343-000D	C343-000D	C343-000D	C343-000D	C343-000D	C343-000D
9	STUD	D153-024D	D153-024D	D153-024D	D153-024D	D153-024D	D153-0240 (x4)
10	HEX. NUT	H060-23D	H060-23D	H060-23D	H060-23D	H060-23D	H060-23D
11	ADAPTER/UPPER CAP	D283-200D	D283-200D	D283-200D	D283-200D	D283-200D	D283-200D
12	BODY	C093-095D	C093-095D	D093-043D	D093-043D	C093-028D	C093-044D
13	O-RING	H135-51D (x4)	H135-51D (x4)	H135-51D (x4)	H135-51D (x4)	H135-51D (x4)	H135-51D (x4)
14	SEAT SLEEVE	D013-001D	D013-001D	D013-001D	D013-001D	D013-001D	D013-001D
15	HEX BOLT	H096-10D	H096-10D	H096-10D	H096-10D	H096-10D	H096-10D
16	HEX NUT	H093-03D	H093-03D	H093-03D	H093-03D	H093-03D	H093-03D
17	DIAPHRAGM PISTON	C783-043D	C783-043D	C783-043D	C783-043D	C783-043D	C783-043D
18	DIAPHRAGM SPRING	D293-081D	D293-081D	D293-081D	D293-081D	D293-081D	D293-081D
19	STEM EXTENSION	D153-201D	D153-201D	D153-201D	D153-201D	D153-201D	D153-201D
20	O-RING	H135-11D (x4)	H135-11D (x4)	H135-11D (x4)	H135-11D (x4)	H135-11D (x4)	H135-11D (x4)
21	TEFLON SCRAPER	H143-03D	H143-03D	H143-03D	H143-03D	H143-03D	H143-03D
22	SPACER RING	D043-065D	D043-065D	D043-065D	D043-065D	D043-065D	D043-065D
23	UPPER STEM	C332-012BD	C332-012BD	C332-012BD	C332-012BD	C332-012BD	C332-012BD
24	LOWER STEM	C332-012AD	C332-012AD	C332-012AD	C332-012AD	C332-012AD	C332-012AD
25	O-RING	H136-24D (x4)	H136-24D (x4)	H136-24D (x4)	H136-24D (x4)	H136-24D (x4)	H136-24D (x4)
26	BOTTOM CAP	C213-050D	C213-050D	C213-050D	C213-050D	C213-050D	C213-050D



Operation & Dimension Data

