

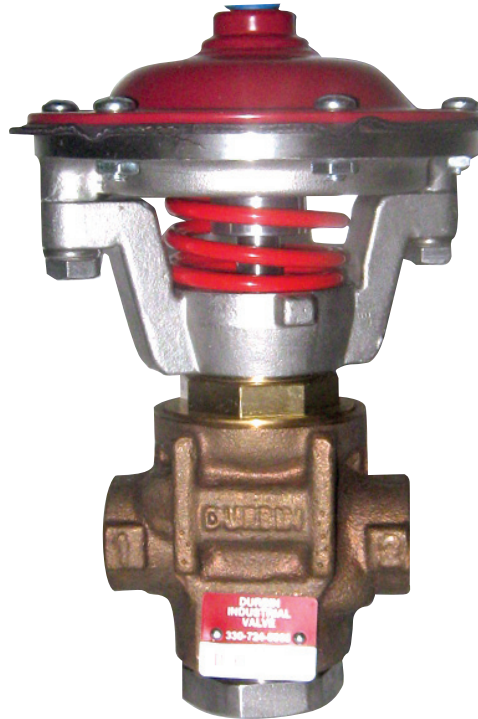


DURBIN

INDUSTRIAL VALVE, INC.

*Sinclair Collins Replacements:

1/4" 500 PSI VALVE



*Durbin Valve is not affiliated with Sinclair Collins

Media Uses:

- Air, cold water, hot water, inert gases, steam, or vacuum service

Features:

- Soft Seated, Class VI positive shut off valve
- Pneumatically operated directional valve
- Port Sizes: 1/4", 3/8"
- System pressures: up to a maximum of 500 psi (34 bar)
- Diaphragm Pilot air pressure maximum: 40 psi (2.8 bar)
- Offered in In-line Porting
- Offered in Normally Open, Normally Closed, or Mixing Valve
- Available ports in Standard NPT & BSP threads
- System temperature ranges -40°F to 450°F (-40°C to 231°C)
- Wetted components constructed of cast bronze & machined corrosion resistant stainless steel
- Engineered sealing edge meets highest ANSI/FCI 70-2 Class VI leakage rate standards

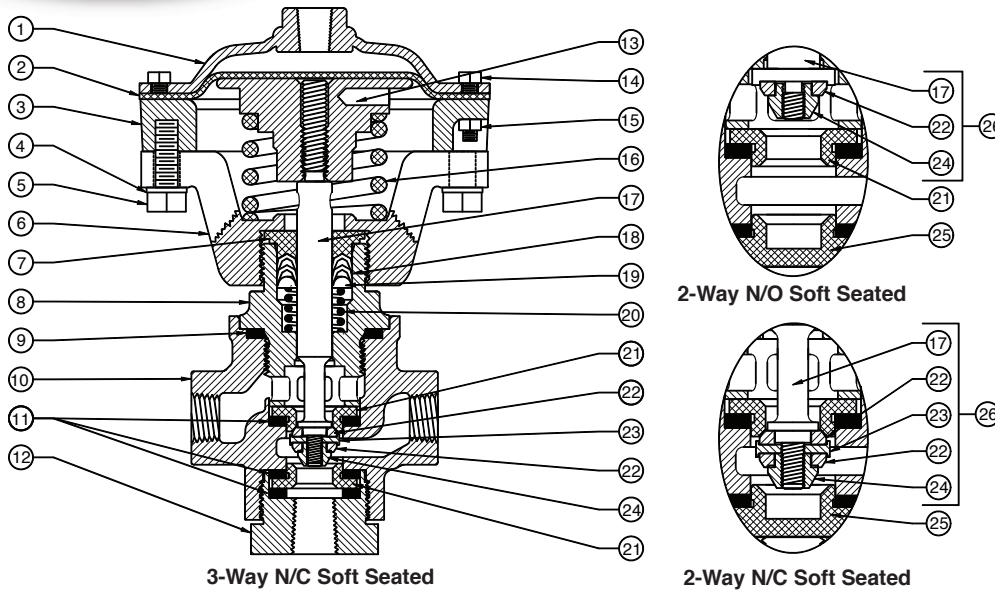
Benefits:

- Re-buildable valve; rebuild services offered by Durbin Industrial Valve, Inc., or field serviceable with Durbin Industrial Valve, Inc. Rebuild Kits
- Superior materials; more corrosion resistant materials that offer longer valve life
- Engineered for harsher applications; improved seal & seat materials



DURBIN

INDUSTRIAL VALVE, INC.



* Included in service kit

1/4" 500 PSI N/C VALVES							
NORMAL VALVE SIDE		1/4" 2W NORMALLY CLOSED		1/4" 2W NORMALLY OPEN		1/4" 3W NORMALLY CLOSED	
VALVE NUMBER		D264-00091	D264-00101	D284-00071	D284-00081	D264-00131	D264-00141
ITEM	DESCRIPTION	1/4" NPT	3/8" NPT	1/4" NPT	3/8" NPT	1/4" NPT	3/8" NPT
1	COVER/LID	M163-005D	M163-005D	M163-005D	M163-005D	M163-005D	M163-005D
2*	DIAPHRAGM	C333-056D	C333-056D	C333-056D	C333-056D	C333-056D	C333-056D
3	RING	M423-002D	M423-002D	M423-002D	M423-002D	M423-002D	M423-002D
4	LOCK WASHER	H175-16D	H175-16D	H175-16D	H175-16D	H175-16D	H175-16D
5	YOKE BOLT	H096-84D	H096-84D	H096-84D	H096-84D	H096-84D	H096-84D
6	YOKE	D283-184D	D283-184D	D283-184D	D283-184D	D283-184D	D283-184D
7	PACKING NUT	C603-030D	C603-030D	C603-030D	C603-030D	C603-030D	C603-030D
8	PACKING GLAND	C013-015D	C013-015D	C013-015D	C013-015D	C013-015D	C013-015D
9*	BODY GASKET	C383-064D	C383-064D	C383-064D	C383-064D	C383-064D	C383-064D
10	BODY	C093-258D	C093-259D	C093-258D	C093-259D	C093-258D	C093-259D
11*	SEAT GASKET	C383-063D (X2)	C383-063D (X2)	C383-063D (X2)	C383-063D (X2)	C383-063D (X3)	C383-063D (X3)
12	BOTTOM CAP	C213-196D	C213-197D	C213-196D	C213-197D	C213-196D	C213-197D
13	SPRING RETAINER/PISTON	C783-141D	C783-141D	C783-141D	C783-141D	C783-141D	C783-141D
14	LID BOLT	H109-09D	H109-09D	H109-09D	H109-09D	H109-09D	H109-09D
15	LID NUT	H064-16D	H064-16D	H064-16D	H064-16D	H064-16D	H064-16D
16	DIAPHRAGM SPRING	D293-130D	D293-130D	D293-130D	D293-130D	D293-130D	D293-130D
17	STEM	D093-209D	D093-209D	D093-208D	D093-208D	D093-209D	D093-209D
18*	PACKER KIT	C242-024D	C242-024D	C242-024D	C242-024D	C242-024D	C242-024D
19	PACKING SPREADER	C713-017D	C713-017D	C713-017D	C713-017D	C713-017D	C713-017D
20	PACKING SPRING	D293-131D	D293-131D	D293-131D	D293-131D	D293-131D	D293-131D
21	SEAT RING	C963-147D	C963-147D	C963-147D	C963-147D	C963-147D	C963-147D
22*	SOFT SEAT SEAL	C343-067D (X2)	C343-067D (X2)	C343-067D	C343-067D	C343-067D (X2)	C343-067D (X2)
23	SEAL WASHER	C353-011D	C353-011D	-	-	C353-011D	C353-011D
24	SEAL NUT	C553-027D	C553-027D	C553-027D	C553-027D	C553-027D	C553-027D
25	STEM STOP	D123-052D	D123-052D	D123-052D	D123-052D	-	-
26	STEM ASSEMBLY	C332-079D	C332-079D	C332-078D	C332-078D	C332-079D	C332-079D
	SERVICE KIT	C242-056D	C242-056D	C242-056D	C242-056D	C242-056D	C242-056D

Cv Rating based on NPT threads • N/O is Normally Open and N/C is Normally Closed

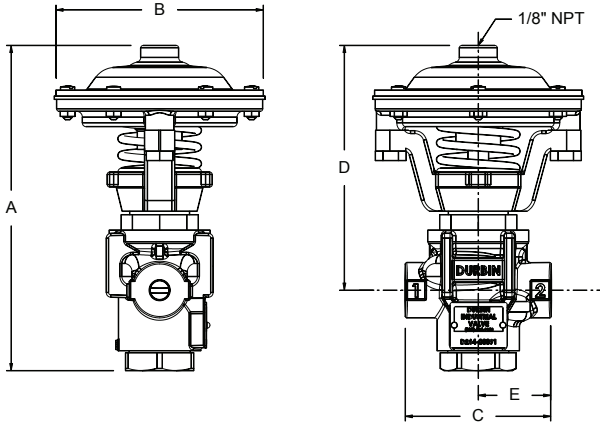
Please contact us for more information at 330.724.9968 or visit us online at www.durbinvalve.com



DURBIN

INDUSTRIAL VALVE, INC.

1/4" Valve Dimensions



BASIC VALVE SIZE	TAP SIZE	DIMENSIONS					
		A	B	C	D	E	
1/4"	1/4" & 3/8"	INCH	6.66	4.31	3.01	5.01	1.50
		mm	169.20	109.50	76.20	127.01	38.10

VALVE TYPE		PIPING CONNECTIONS		
		PORT 1	PORT 2	PORT 3
2-WAY	NORMALLY OPEN ANGLE PIPED	PLUGGED	CYLINDER OR INLET	INLET OR CYLINDER
	NORMALLY CLOSED INLINE PIPED	INLET	CYLINDER	PLUGGED
	NORMALLY OPEN INLINE PIPED	INLET	CYLINDER	PLUGGED
3-WAY	NORMALLY OPEN	DRAIN	CYLINDER	INLET
	NORMALLY CLOSED	INLET	CYLINDER	DRAIN
3-PORT	DIRECTIONAL VALVE	OUTLET	INLET	OUTLET
	MIXING VALVE	INLET	OUTLET	INLET

	NOMINAL VALVE SIZE	PORT TAP (NPT)	DESCRIPTION	PSI	BAR	CV			
						PORT 1 TO PORT 2	PORT 2 TO PORT 1	PORT 2 TO PORT 3	PORT 3 TO PORT 2
SOFT SEATED	1/4"	1/4"	2WNC 2-WAY N/C	MODEL	D264-00091	3.36	3.76	-	-
				PRESSURE RATING	500 34				
		3/8"	2WNC 2-WAY N/C	MODEL	D264-00101	3.06	3.26	-	-
				PRESSURE RATING	500 34				
		1/4"	2WNO 2-WAY N/O	MODEL	D284-00071	3.36	3.76	-	-
				PRESSURE RATING	500 34				
		3/8"	2WNO 2-WAY N/O	MODEL	D284-00081	3.06	3.76	-	-
				PRESSURE RATING	500 34				
		1/4"	3WNC 3-WAY N/C	MODEL	D284-00131	3.36	3.76	4.16	4.26
				PRESSURE RATING	500 34				
		3/8"	3WNC 3-WAY N/C	MODEL	D284-00141	3.06	3.25	4.91	4.26
				PRESSURE RATING	500 34				

1/4" SOFT SEATED VALVE SIZING CHART