



DURBIN

INDUSTRIAL VALVE, INC.

*Sinclair Collins Replacements:
Manifold Mounted Valve



*Durbin Valve is not affiliated with Sinclair Collins

Media Uses:

- Air, cold water, hot water, inert gases, steam, or vacuum service

Features:

- Soft Seated, Class VI positive shut off valve
- Pneumatically operated directional valve
- Port Sizes: 1/2", 3/4, 1, 1 1/4
- System pressures: up to a maximum of 500 psi (34 bar)
- Diaphragm Pilot air pressure maximum: 40 psi (2.8 bar)
- Offered in Normally Open, Normally Closed
- Available ports in Standard NPT & BSP threads
- System temperature ranges -40°F to 450°F (-40°C to 231°C)
- Wetted components constructed of machined corrosion resistant stainless steel
- Engineered sealing edge meets highest ANSI/FCI 70-2-2006 Class VI leakage rate standards

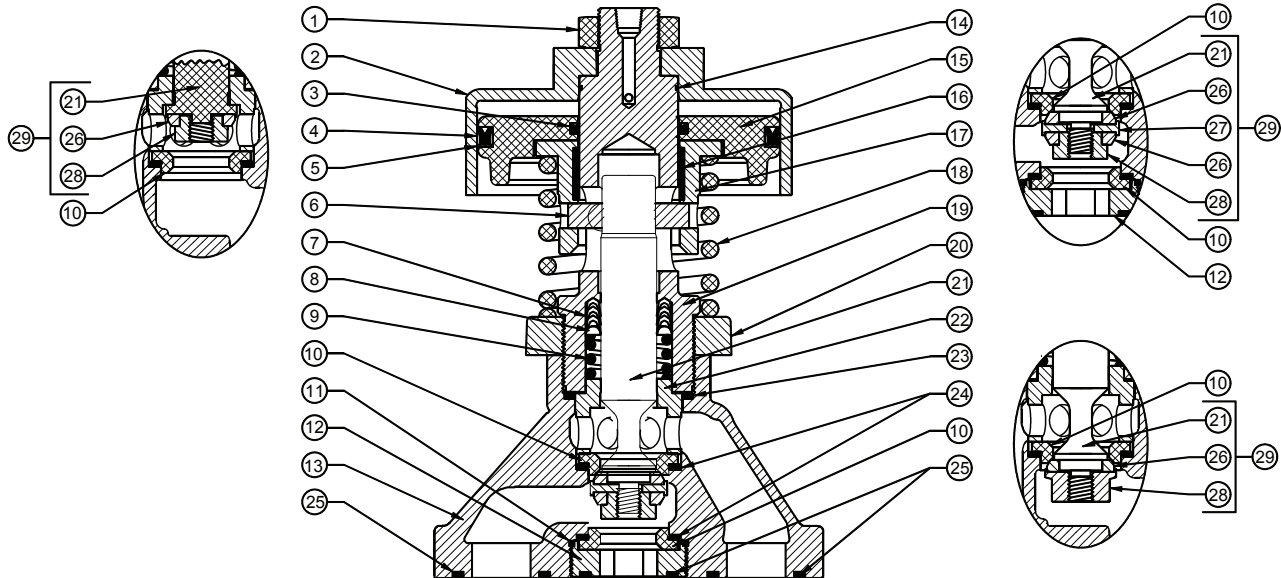
Benefits:

- Re-buildable valve; rebuild services offered by Durbin Industrial Valve, Inc., or field serviceable with Durbin Industrial Valve, Inc. Rebuild Kits
- Superior materials; more corrosion resistant materials that offer longer valve life
- Engineered for harsher applications; improved seal & seat materials



DURBIN

INDUSTRIAL VALVE, INC.



NOMINAL VALVE SIZE		1/2"		
DESCRIPTION		2-Way N/C	2-Way N/O	3-Way N/C
ITEM	VALVE	D304-20091	D304-20121	D304-20111
1	LID NUT	C583-024D	C583-024D	C583-024D
2	LID/COVER	C293-107D	C293-107D	C293-107D
3*	GLAND SEAL	H145-85D	H145-85D	H145-85D
4*	PISTON SEAL	H145-86D	H145-86D	H145-86D
5*	PISTON SEAL BACKUP WASHER	H143-111D	H143-111D	H143-111D
6*	ROLL PIN	H072-80D	H072-80D	H072-80D
7*	PACKERS	H272-03D	H272-03D	H272-03D
8	SEAT RING	C963-148D	C963-148D	C963-148D (2x)
9*	TEFLON RING	-	-	H232-87D
10	SEAT RETAINER	-	-	C873-017D
11	BODY	C093-311D	C093-316D	C093-289D
12*	GLAND O-RING	H136-77D	H136-77D	H136-77D
13	PISTON	C783-152D	C783-152D	C783-152D
14*	WEAR RING	D333-002D	D333-002D	D333-002D
15	SPRING RETAINER	C883-032D	C883-032D	C883-032D
16	PISTON SPRING	D293-145D	D293-145D	D293-145D
17	PACKING GLAND/ADAPTOR	C013-021D	C013-021D	C013-021D
18	GLAND NUT	C633-042D	C633-042D	C633-042D
19	STEM	D093-239D	D093-238D	D093-239D
20	SEAT CAGE	C873-015D	C873-015D	C873-015D
21*	BODY GASKET	C383-075D	C383-075D	C383-075D
22*	SEAT GASKET	C383-010D	C383-010D	C383-010D (2x)
23*	BOTTOM GASKET	C383-062D (2x)	C383-062D (2x)	C383-062D (3x)
24*	SOFT SEAL DISC	C343-068D	C343-068D	C343-068D (2x)
25	DISC WASHER	-	-	C353-012D
26	DISC NUT	C553-021D	C553-022D	C553-022D
27	STEM ASSEMBLY	C332-099D	C332-098D	C332-100D
	SERVICE KIT	C242-041D	C242-041D	C242-041D

NOMINAL VALVE SIZE		1"		
DESCRIPTION		2-Way N/C	2-Way N/O	3-Way N/C
ITEM	VALVE	D304-40191	D304-40221	D304-40211
1	LID NUT	C583-025D	C583-025D	C583-025D
2	LID/COVER	C293-109D	C293-109D	C293-109D
3*	GLAND SEAL	H145-43D	H145-43D	H145-43D
4*	PISTON SEAL	H145-56D	H145-56D	H145-56D
5*	PISTON SEAL BACKUP WASHER	H143-114D	H143-114D	H143-114D
6*	ROLL PIN	H072-85D	H072-85D	H072-85D
7*	PACKER KIT	H242-022D	H242-022D	H242-022D
8	PACKING SPREADER	C713-004D	C713-004D	C713-004D
9	PACKING SPRING	D293-002D	D293-002D	D293-002D
10	SEAT RING	C963-149D	C963-149D	C963-149D (2x)
11*	TEFLON RING	-	-	H134-124
12	SEAT RETAINER	-	-	C873-018D
13	BODY	C093-313D	C093-313D	C093-313D
14*	GLAND O-RING	H137-84D	H137-84D	H137-84D
15	PISTON	C783-153D	C783-153D	C783-153D
16*	WEAR RING	D333-003D	D333-003D	D333-003D
17	SPRING RETAINER	C883-033D	C883-033D	C883-033D
18	PISTON SPRING	D293-146D	D293-146D	D293-146D
19	PACKING GLAND/ADAPTOR	C013-022D	C013-022D	C013-022D
20	GLAND NUT	C633-043D	C633-043D	C633-043D
21	STEM	D093-241D	D093-240D	D093-241D
22	SEAT CAGE	C873-019D	C873-019D	C873-019D
23*	BODY GASKET	C383-076D	C383-076D	C383-076D
24*	SEAT GASKET	C383-019D	C383-019D	C383-019D (2x)
25*	BOTTOM GASKET	C383-077D (2x)	C383-077D (2x)	C383-077D (3x)
26	SOFT SEAL DISC	C343-069D	C343-069D	C343-069D (2x)
27	DISC WASHER	-	-	C353-013D
28	STEM NUT	C553-023D	C553-024D	C553-024D
29	STEM ASSEMBLY	C332-102D	C332-101D	C332-103D
	SERVICE KIT	C242-043D	C242-043D	C242-043D

DESCRIPTION

Cv Rating based on NPT threads • N/O is Normally Open and N/C is Normally Closed

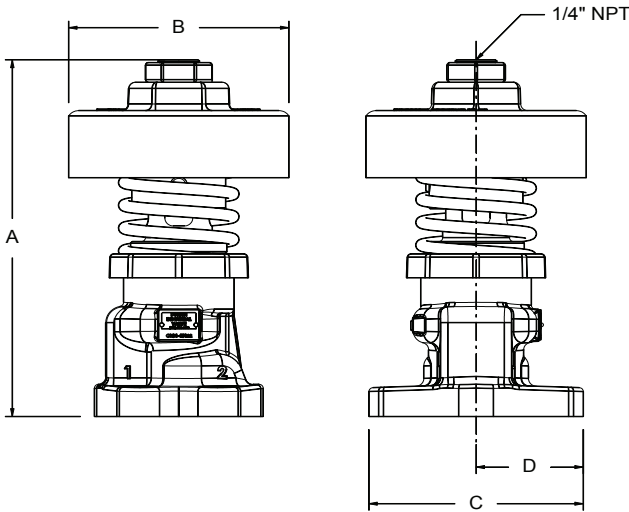
Please contact us for more information at 330.724.9968 or visit us online at www.durbinvalve.com



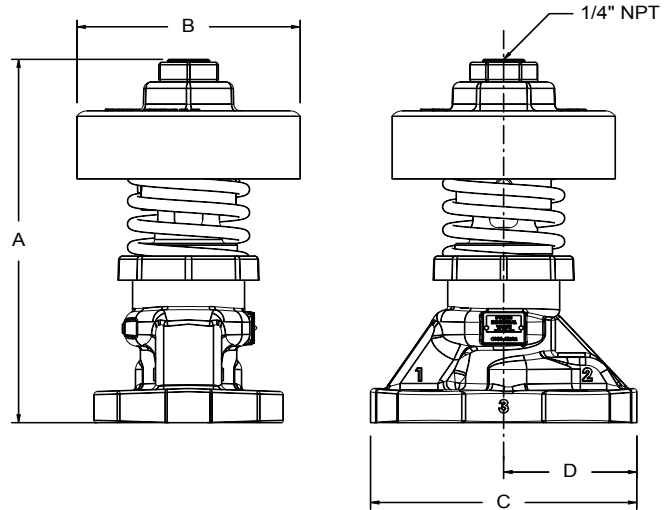
DURBIN

INDUSTRIAL VALVE, INC.

2-Way MANIFLOLD VALVE DIMENSIONS

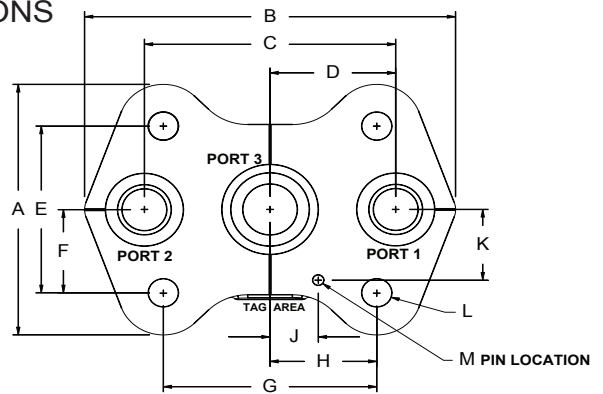
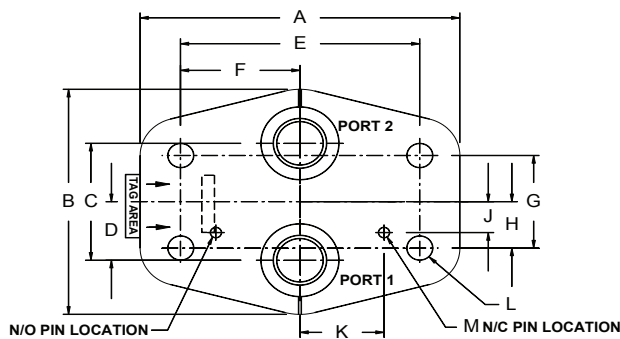


3-Way MANIFLOLD VALVE DIMENSIONS



BASIC VALVE SIZE	VALVE TYPE		A	B	C	D
1/2"	2-WAY	INCH	8.77	5.25	4.40	2.20
		mm	222.80	133.40	111.80	55.90
	3-WAY	INCH	8.77	5.25	6.68	3.34
		mm	222.80	133.40	169.70	84.80
1"	2-WAY	INCH	11.46	6.70	5.18	2.59
		mm	291.10	170.20	131.60	65.80
	3-WAY	INCH	11.46	6.70	7.75	3.88
		mm	291.10	170.01	196.80	98.60

MANIFOLD VALVE DIMENSIONS



BASE VALVE SIZE	TAP SIZE	TYPE	A	B	C	D	E	F	G	H	J	K	L	M	
1/2"	1/2" & 3/4"	2-WAY	INCH	5.80	4.38	2.28	1.14	4.34	2.17	1.81	0.91	0.620	1.5	31/64	0.20
			mm	147.40	111.30	57.90	29.01	110.20	55.10	46.01	23.10	15.70	38.10	12.30	5.20
		3-WAY	INCH	4.87	6.73	4.56	2.28	3.25	1.62	3.88	1.94	0.88	1.38	35/64	0.20
			mm	123.80	171.20	115.80	57.90	82.60	41.10	98.60	49.30	22.40	35.10	13.90	5.20
1"	1" & 1-1/4"	2-WAY	INCH	6.38	5.04	2.56	1.28	4.75	2.38	2.31	1.16	1.53	1.75	35/64	0.20
			mm	162.01	128.01	65.01	32.50	120.60	60.50	58.70	29.50	38.90	44.40	13.90	5.20
		3-WAY	INCH	5.57	7.85	5.12	2.56	3.50	1.75	4.25	2.12	1.01	1.50	21/32	0.20
			mm	141.60	199.40	130.01	65.01	88.90	44.40	108.01	53.80	25.40	38.10	16.70	5.20

Cv Rating based on NPT threads • N/O is Normally Open and N/C is Normally Closed

Please contact us for more information at 330.724.9968 or visit us online at www.durbinvalve.com



DURBIN

INDUSTRIAL VALVE, INC.

NOMINAL VALVE SIZE	STYLE	DESCRIPTION	PSI	BAR	CV				
					PORT 1 TO PORT 2	PORT 2 TO PORT 1	PORT 2 TO PORT 3	PORT 3 TO PORT 2	
1/2"	2-WAY N/C	HARD	MODEL	D304-20092		5.66	6.71	-	-
			PRESSURE RATING	500	34				
		SOFT	MODEL	D304-20091		7.41	7.01	-	-
			PRESSURE RATING	500	34				
	2-WAY N/O	HARD	MODEL	D304-20122		8.11	8.11	-	-
			PRESSURE RATING	500	34				
		SOFT	MODEL	D304-20121		7.61	7.51	-	-
			PRESSURE RATING	500	34				
	3-WAY N/C	HARD	MODEL	D304-20112		6.45	5.38	7.02	10.98
			PRESSURE RATING	500	34				
SOFT		MODEL	D304-20111		7.21	7.21	8.21	8.91	
		PRESSURE RATING	500	34					
1"	2-WAY N/C	HARD	MODEL	D304-40192		12.91	14.01	-	-
			PRESSURE RATING	500	34				
		SOFT	MODEL	D304-40191		14.61	14.81	-	-
			PRESSURE RATING	500	34				
	2-WAY N/O	HARD	MODEL	D304-40222		14.71	14.41	-	-
			PRESSURE RATING	500	34				
		SOFT	MODEL	D304-40221		14.01	14.51	-	-
			PRESSURE RATING	500	34				
	3-WAY N/C	HARD	MODEL	D304-40212		13.21	13.41	17.51	18.51
			PRESSURE RATING	500	34				
SOFT		MODEL	D304-40211		15.11	15.41	17.71	20.51	
		PRESSURE RATING	500	34					

MANIFOLD HARD OR SOFT SEATED VALE SIZING CHART