



# DURBIN

INDUSTRIAL VALVE, INC.

## Dual Adjustable Orifice Drain Valve



### Media Uses:

- Air, cold water, hot water, inert gases, steam, or vacuum service

### Features:

- Soft Seated, Class VI positive shut off valve
- Pneumatically operated drain valve
- Port Sizes: 3/4", 1", 1 1/4", 1 1/2"
- System pressures: up to a maximum of 500 psi (34 bar)
- Diaphragm Pilot air pressure maximum 40 psi (2.8 bar)
- Available ports in Standard NPT & BSP threads, flanged style upon request
- System temperature ranges -40°F to 450°F (-40°C to 231°C)
- Wetted components constructed of cast & machined corrosion resistant stainless steel
- Replaceable Soft Seat seal assures a positive shut off
- Engineered sealing edge meets highest ANSI/FCI 70-2 Class VI leakage rate standards
- Innovative design available only from Durbin Industrial Valve, Inc.

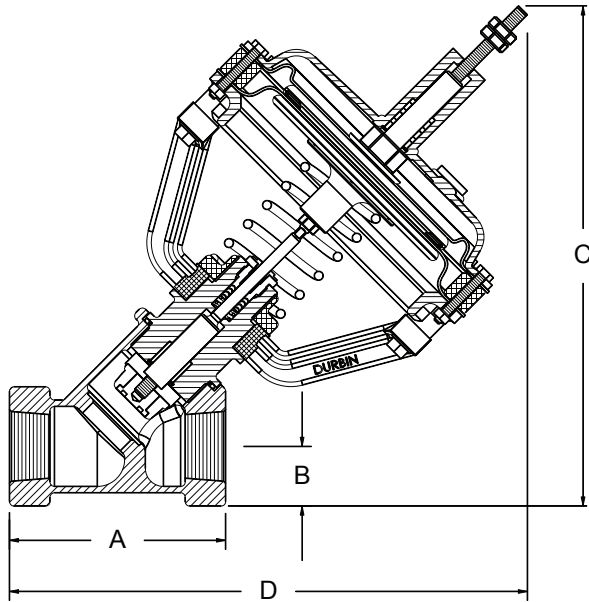
### Benefits:

- Increased efficiency; 27% more efficient than a similar Globe Valve
- Cost effective; significantly reduces piping & simplifies routing of pipes, reduces quantity of valves per press, replaces a conventional dual valve drain system in a curing piping package
- Time saving; no process or programming change necessary when converting to this valve
- Re-buildable valve; rebuild services offered by Durbin Industrial Valve, Inc., or field serviceable with Durbin Industrial Valve, Inc. Rebuild Kits
- Easily Adjustable; Going from fully closed to fully open is simple with external adjustments, thus allowing customization of Cv (flow) for each press.
- Superior materials; more corrosion resistant materials that offer longer valve life

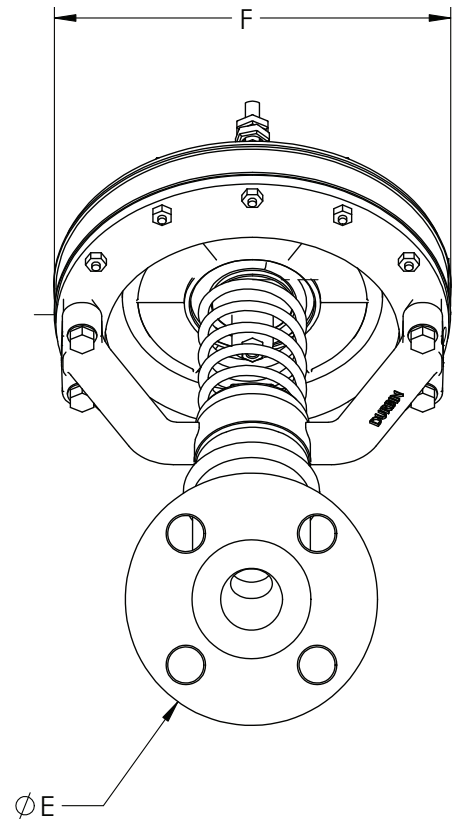
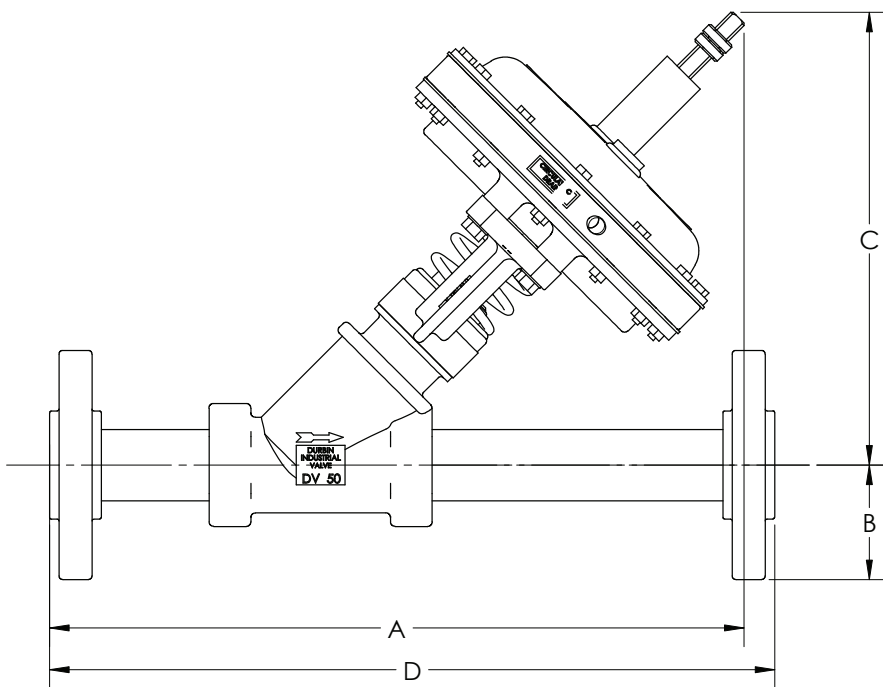


# DURBIN

INDUSTRIAL VALVE, INC.



VALVE		A	B	C	D
DV20	IN	4-3/8	1	10-1/2	11-1/8
	mm	111	24	269	283
DV30	IN	4-3/8	1	12-3/4	11-5/8
	mm	111	24	323	295
DV40	IN	4-3/8	1	12-3/4	11-5/8
	mm	111	24	323	295
DV50	IN	6	1-3/4	13-3/4	14-1/4
	mm	151	42	349	363

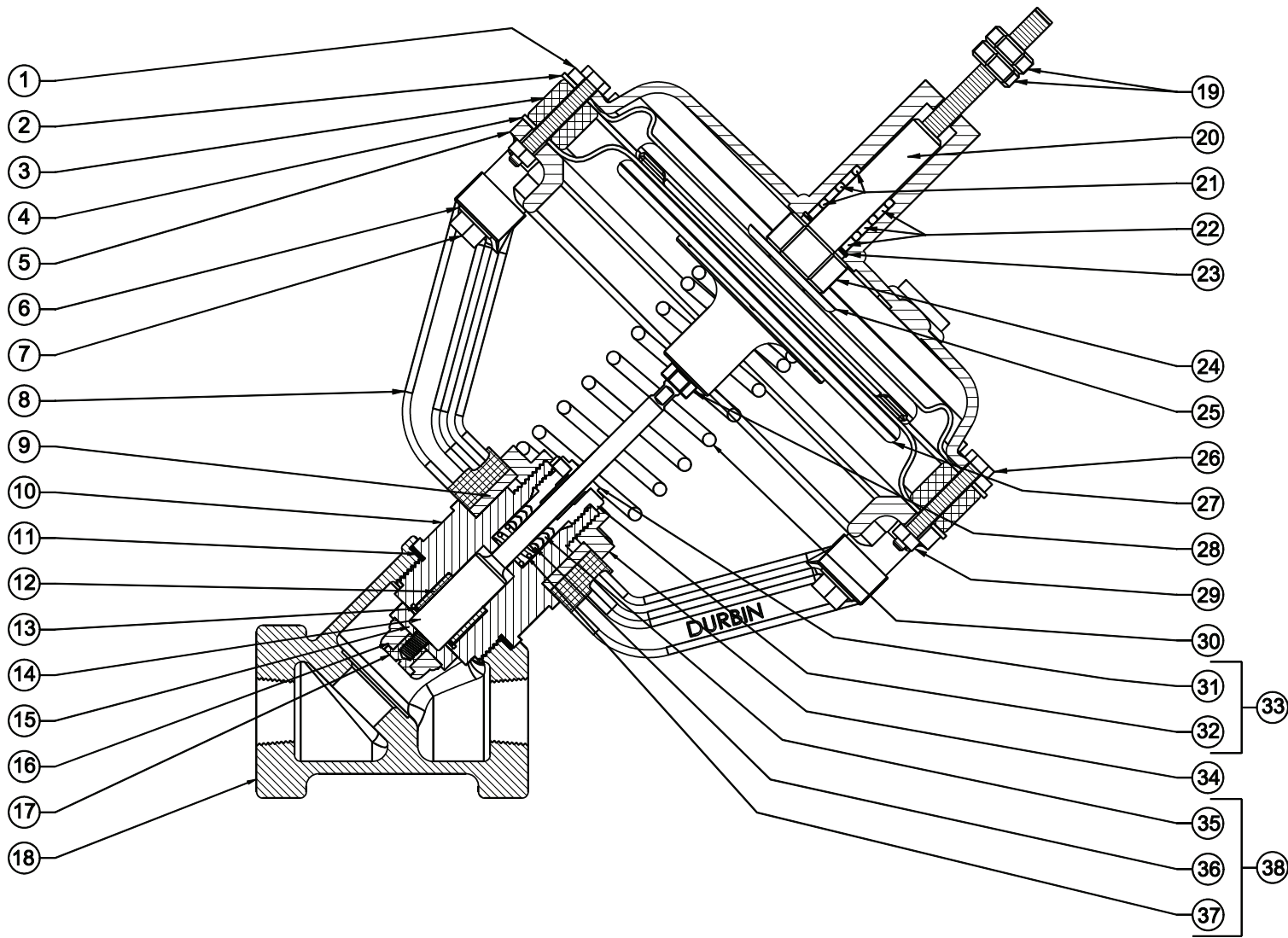


VALVE		A	B	C	D	E
DV20	IN	19-3/8"	3"	12 1/8"	6 1/8"	9 1/2"
	mm	492.13	76.2	308	155.58	241.3



# DURBIN

INDUSTRIAL VALVE, INC.



### Ordering Information

Example: DV-30N = 1" with NPT Threaded Ports

<b>DV</b>				
	20	3/4"		
	30	1"		
	40	1 1/4"		
	50	1 1/2"		
	<b>N</b>	<b>NPT</b>		
	<b>B</b>	<b>BSP</b>		
	<b>A</b>	<b>ANSI (300#)</b>		
	<b>D</b>	<b>DIN (PN40)</b>		
	<b>J</b>	<b>JIS (20K)</b>		
			ANSI	DIN
			1	1 1/2"
			2	3/4"
			3	1"
			4	1 1/2"
				DN15
				15
				DN20
				20
				DN25
				25
				DN40
				40



# DURBIN

## INDUSTRIAL VALVE, INC.

VARIABLE ORIFICE DRAIN VALVE					
	VALVE NUMBER	DV20	DV30	DV40	DV50
	Cv Rating	Cv 26	Cv 28	Cv 32	Cv 45
ITEM	DESCRIPTION	PART #	PART #	PART #	PART #
1	LID	C293-023-D2	C293-030D2	C293-030D2	C293-030D2
2	UPPER DIAPHRAGM	C333-053-A	DV551	DV551	DV551
3	SPACER RING	DV333	DV533	DV533	DV533
4	LOWER DIAPHRAGM	C333-053D	DV552	DV552	DV552
5	RING	C893-014D	C893-022D	C893-022D	C893-022D
6	LOCK WASHER FOR YOKE BOLTS	H175-21D	H175-21D	H175-21D	H175-21D
7	HEX BOLTS	H096-55D	H096-49D	H096-49D	H096-49D
8	YOKE	DV258	DV58	DV58	DV58
9	YOKE SPACER	-	DV315	DV315	-
10	PACKING GLAND	DV259	DV259	DV259	DV59
11	BODY GASKET	C383-074D	C383-074D	C383-074D	C383-029D
12	BUSHING FOR PACKING GLAND	DV522	DV522	DV522	DV522
13	RETAINING RING	H090-19D	H090-19D	H090-19D	H090-19D
14	STEM	DV211	DV311	DV311	DV511
15	DISK WASHER	DV212	DV312	DV312	DV512
16	SEAL	DV223	DV323	DV323	DV513
17	STEM NUT	DV214	DV314	D314	DV514
18	DRAIN VALVE BODY	DV234	DV334	DV434	DV534
19	HEX NUTS	DV517	DV517	DV517	DV517
20	UPPER PISTON ASSEMBLY	DV216	DV516	DV516	DV516
21	VITON O RING (X3)	H135-13D	H135-13D	H135-13D	H135-13D
22	COVER BUSHING	DV526	DV526	DV526	DV526
23	RETAINING RING	H090-19D	H090-19D	H090-19D	H090-19D
24	DIAPHRAGM RETAINING NUT	DV519	DV519	DV519	DV519
25	DIAPHRAGM RETAINING WASHER	DV520	DV520	DV520	DV520
26	COVER HEX BOLTS	H096-059D	H096-059D	H096-059D	H096-59D
27	LOWER PISTON	DV221	DV521	DV521	DV521
28	STEM LOCK NUT	C133-008D	C133-005D	C133-005D	C133-005D
29	LID HEX NUTS	H060-03D	H060-03D	H060-03D	H060-03D
30	DIAPHRAGM SPRING	D293-069D	D293-070D	D293-070D	D293-300D
31	PACKING NUT BUSHING	VP524	VP524	VP524	VP524
32	PACKING NUT	C853-092D	C853-092D	C853-092D	C853-092D
33	PACKING NUT ASSEMBLY	C853-090D	C853-090D	C853-090D	C853-090D
34	YOKE RETAINING NUT	DV231	DV231	DV231	DV531
35	TEFLON PACKERS(X3)	C683-069D	C683-069D	C683-069D	C683-069D
36	PACKING SPREADER	C713-012D	C713-012D	C713-012D	C713-012D
37	PACKING SPRING	D293-104D	D293-104D	D293-104D	D293-104D
38	PACKING KIT	C242-015D	C242-015D	C242-015D	C242-015D

Cv Rating based on NPT threads

Please contact us for more information at 330.724.9968 or visit us online at [www.durbinvalve.com](http://www.durbinvalve.com)