



# DURBIN

INDUSTRIAL VALVE, INC.

## Hydraulic Valve



### Media Uses:

- Petroleum based products, hot or cold water,

### Features:

- Pneumatically operated hard seated hydraulic valve; also available with regulation option
- Port Sizes: 1/2" & 3/4"
- Offered in 2 system pressure ratings; 4000 & 6000 psi (276 & 414 bar)
- Diaphragm Pilot air pressure maximum: 40 psi (2.8 bar)
- Offered in normally opened and normally closed and 2-way or 3-way versions
- 4000 psi version has slightly higher CV value compared to 6000 psi counterpart
- 4000 psi version & 6000 psi have distinguishable port orientations
- Available ports in Standard NPT & BSP threads
- System temperature maximum 160°F (71.1°C)
- Wetted components constructed of machined corrosion resistant stainless steel

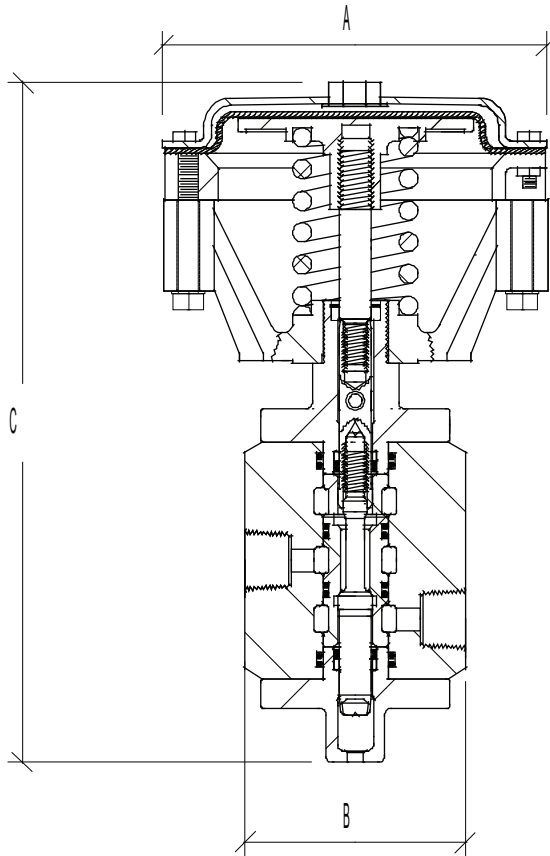
### Benefits:

- Re-buildable valve; rebuild services offered by Durbin Industrial Valve, Inc., or field serviceable with Durbin Industrial Valve, Inc. Rebuild Kits
- Superior materials; more corrosion resistant materials that offer longer valve life



# DURBIN

INDUSTRIAL VALVE, INC.



#	A	B	C
IN	7 3/8"	4 1/4"	13
mm	187	108	330

### Ordering Information

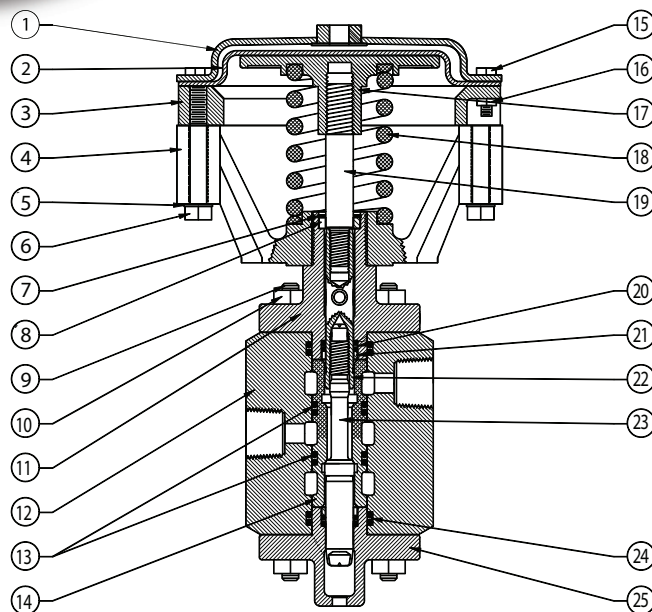
Example: DH-4621N= 1/2", 4000lb. 3-way normally closed w/ NPT threaded ports

<b>DH</b>																									
	<table border="1"> <tr><td>4000 Lb.</td><td>4</td></tr> <tr><td>6000 Lb.</td><td>6</td></tr> </table>	4000 Lb.	4	6000 Lb.	6	<table border="1"> <tr><td>2-Way</td><td>8</td></tr> <tr><td>3-Way</td><td>6</td></tr> </table>	2-Way	8	3-Way	6	<table border="1"> <tr><td>1/2"</td><td>2</td></tr> <tr><td>3/4"</td><td>3</td></tr> </table>	1/2"	2	3/4"	3	<table border="1"> <tr><td>N/O</td><td>0</td></tr> <tr><td>N/C</td><td>1</td></tr> </table>	N/O	0	N/C	1	<table border="1"> <tr><td>NPT</td><td>N</td></tr> <tr><td>BSP</td><td>B</td></tr> </table>	NPT	N	BSP	B
4000 Lb.	4																								
6000 Lb.	6																								
2-Way	8																								
3-Way	6																								
1/2"	2																								
3/4"	3																								
N/O	0																								
N/C	1																								
NPT	N																								
BSP	B																								



# DURBIN

## INDUSTRIAL VALVE, INC.



4,000 Lb. HYDRAULIC VALVE							
VALVE NUMBER	D4820	D4821	D4830	D4831	D4621	D4631	
SIZE	1/2" 2-Way N/O	1/2" 2-Way N/C	3/4" 2-Way N/O	3/4" 2-Way N/C	1/2" 3-Way N/C	3/4" 3-Way N/C	
Cv Rating	Cv 3.3	Cv 3.3	Cv 3.55	Cv 3.55	Cv 3.3	Cv 3.6	
ITEM	DESCRIPTION	PART #	PART #	PART #	PART #	PART #	PART #
1	LID	C293-023D	C293-023D	C293023D	C293-023D	C293-023D	C293-023D
2	DIAPHRAGM	C333-017D	C333-017D	C333-017D	C333-017D	C333-017D	C333-017D
3	RING	C893-014D	C893-014D	C893-014D	C893-014D	C893-014D	C893-014D
4	YOKE	D283-025D	D283-025D	D283-025D	D283-025D	D283-025D	D283-025D
5	LOCK WASHER	H175-21D	H175-21D	H175-21D	H175-21D	H175-21D	H175-21D
6	HEX BOLT	H096-55D	H096-55D	H096-55D	H096-55D	H096-55D	H096-55D
7	RETAINING RING	H090-19D	H090-19D	H090-19D	H090-19D	H090-19D	H090-19D
8	THERMAL BUSHING	C343-000D	C343-000D	C343-000D	C343-000D	C343-000D	C343-000D
9	STUD	D153-024D	D153-024D	D153-024D	D153-024D	D153-024D	D153-024D
10	HEX. NUT	H060-23D	H060-23D	H060-23D	H060-23D	H060-23D	H060-23D
11	ADAPTER/UPPER CAP	D283-200D	D283-200D	D283-200D	D283-200D	D283-200D	D283-200D
12	BODY	C093-095D	C093-095D	C093-043D	C093-043D	C093-028D	C093-044D
13	O-RING	H135-51D (x4)	H135-51D (x4)	H135-51D (x4)	H135-51D (x4)	H135-51D (x4)	H135-51D (x4)
14	SEAT SLEEVE	D013-001D	D013-001D	D013-001D	D013-001D	D013-001D	D013-001D
15	HEX BOLT	H096-10D	H096-10D	H096-10D	H096-10D	H096-10D	H096-10D
16	HEX NUT	H093-03D	H093-03D	H093-03D	H093-03D	H093-03D	H093-03D
17	DIAPHRAGM PISTON	C783-04D	C783-04D	C783-04D	C783-04D	C783-04D	C783-04D
18	DIAPHRAGM SPRING	D293-081D	D293-081D	D293-081D	D293-081D	D293-081D	D293-081D
19	STEM EXTENSION	D153-201D	D153-201D	D153-201D	D153-201D	D153-201D	D153-201D
20	SEAL	C683-40D (x2)	C683-40D (x2)	C683-40D (x2)	C683-40D (x2)	C683-40D (x2)	C683-40D (x2)
21	SPACER RING	D043-065D	D043-065D	D043-065D	D043-065D	D043-065D	D043-065D
22	UPPER STEM	C332-012BD	C332-012BD	D332-012BD	D332-012BD	D332-012BD	D332-012BD
23	LOWER STEM	C332-012AD	C332-012AD	C332-012AD	C332-012AD	C332-012AD	C332-012AD
24	O-RING	H136-24D (x4)	H136-24D (x4)	H136-24D (x4)	H136-24D (x4)	H136-24D (x4)	H136-24D (x4)
25	BOTTOM CAP	C213-050D	C213-050D	C213-050D	C213-050D	C213-050D	C213-050D

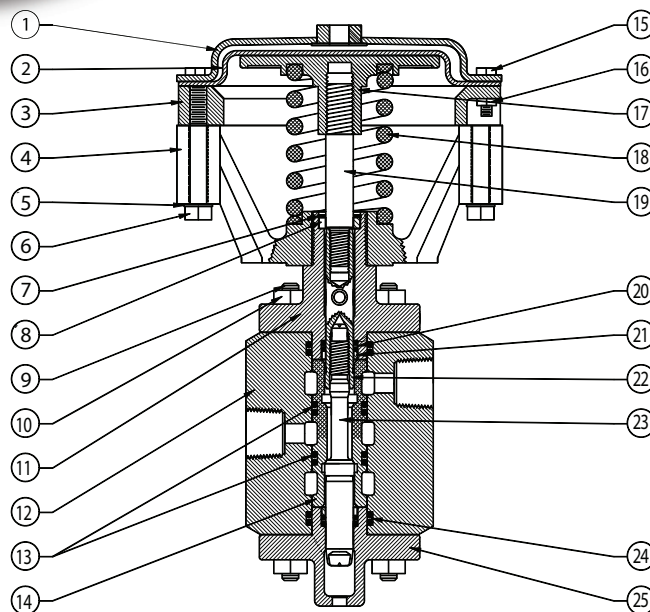
Cv Rating based on NPT threads • N/O is Normally Open and N/C is Normally Closed

Please contact us for more information at 330.724.9968 or visit us online at [www.durbinvalve.com](http://www.durbinvalve.com)



# DURBIN

## INDUSTRIAL VALVE, INC.



6,000 Lb HYDRAULIC VALVE							
VALVE NUMBER	D6820	D6821	D6830	D6831	D6621	D6631	
SIZE	1/2" 2-Way N/O	1/2" 2-Way N/C	3/4" 2-Way N/O	3/4" 2-Way N/C	1/2" 3-Way N/C	3/4" 3-Way N/C	
Cv Rating	Cv 2.65	Cv 2.65	Cv 2.7	Cv 2.7	Cv 2.8	Cv 2.8	
ITEM	DESCRIPTION	PART #	PART #	PART #	PART #	PART #	PART #
1	LID	C293-023D	C293-023D	C293023D	C293-023D	C293-023D	C293-023D
2	DIAPHRAGM	C333-017D	C333-017D	C333-017D	C333-017D	C333-017D	C333-017D
3	RING	C893-014D	C893-014D	C893-014D	C893-014D	C893-014D	C893-014D
4	YOKE	D283-025D	D283-025D	D283-025D	D283-025D	D283-025D	D283-025D
5	LOCK WASHER	H175-21D	H175-21D	H175-21D	H175-21D	H175-21D	H175-21D
6	HEX BOLT	H096-55D	H096-55D	H096-55D	H096-55D	H096-55D	H096-55D
7	RETAINING RING	H090-19D	H090-19D	H090-19D	H090-19D	H090-19D	H090-19D
8	THERMAL BUSHING	C343-000D	C343-000D	C343-000D	C343-000D	C343-000D	C343-000D
9	STUD	D153-024D	D153-024D	D153-024D	D153-024D	D153-024D	D153-024D
10	HEX. NUT	H060-23D	H060-23D	H060-23D	H060-23D	H060-23D	H060-23D
11	ADAPTER/UPPER CAP	D283-200D	D283-200D	D283-200D	D283-200D	D283-200D	D283-200D
12	BODY	C093-030D	C093-030D	C093-045D	C093-045D	C093-031D	C093-046D
13	O-RING	H135-51D (x4)	H135-51D (x4)	H135-51D (x4)	H135-51D (x4)	H135-51D (x4)	H135-51D (x4)
14	SEAT SLEEVE	D013-001D	D013-001D	D013-001D	D013-001D	D013-001D	D013-001D
15	HEX BOLT	H096-10D	H096-10D	H096-10D	H096-10D	H096-10D	H096-10D
16	HEX NUT	H093-03D	H093-03D	H093-03D	H093-03D	H093-03D	H093-03D
17	DIAPHRAGM PISTON	C783-043D	C783-043D	C783-043D	C783-043D	C783-043D	C783-043D
18	DIAPHRAGM SPRING	D293-081D	D293-081D	D293-081D	D293-081D	D293-081D	D293-081D
19	STEM EXTENSION	D153-201D	D153-201D	D153-201D	D153-201D	D153-201D	D153-201D
20	SEAL	C683-40D (x2)	C683-40D (x2)	C683-40D (x2)	C683-40D (x2)	C683-40D (x2)	C683-40D (x2)
21	SPACER RING	D043-065D	D043-065D	D043-065D	D043-065D	D043-065D	D043-065D
22	UPPER STEM	C332-012BD	C332-012BD	D332-012BD	D332-012BD	D332-012BD	D332-012BD
23	LOWER STEM	C332-012AD	C332-012AD	C332-012AD	C332-012AD	C332-012AD	C332-012AD
24	O-RING	H136-24D (x4)	H136-24D (x4)	H136-24D (x4)	H136-24D (x4)	H136-24D (x4)	H136-24D (x4)
25	BOTTOM CAP	C213-050D	C213-050D	C213-050D	C213-050D	C213-050D	C213-050D

Cv Rating based on NPT threads • N/O is Normally Open and N/C is Normally Closed

Please contact us for more information at 330.724.9968 or visit us online at [www.durbinvalve.com](http://www.durbinvalve.com)