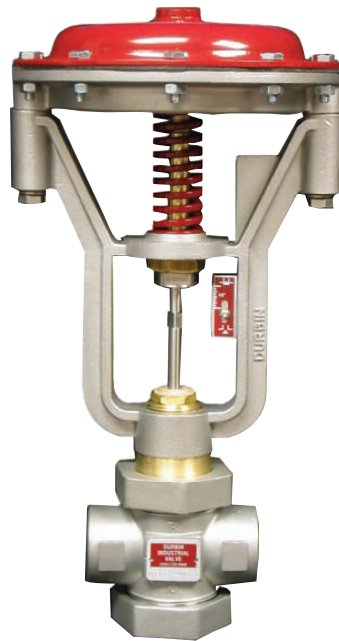




DURBIN

INDUSTRIAL VALVE, INC.

Low-Flow Control Valve



Media Uses:

- Air, cold water, hot water, inert gases, steam

Features:

- Soft Seated, Class VI positive shut off valve
- Pneumatically operated control valve
- Port Sizes: 1/2", 3/4"
- System pressures: up to a maximum of 500 psi (34 bar)
- Diaphragm Pilot air pressure range: 3 psi to 15 psi (~0.2 to 1.0 bar) or 6 psi to 30 psi (0.4 to 2.0 bar)
- Available ports in Standard NPT & BSP threads, flanged style upon request
- Valve is reverse acting (Normally Closed)
- System temperature ranges -40°F to 450°F (-40°C to 231°C)
- Wetted components constructed of cast & machined corrosion resistant stainless steel
- Replaceable Soft Seat seal assures a positive shut off
- Valve has equal and linear flow characteristics compared to other control valves
- Engineered sealing edge meets highest ANSI/FCI 70-2 Class VI leakage rate standards

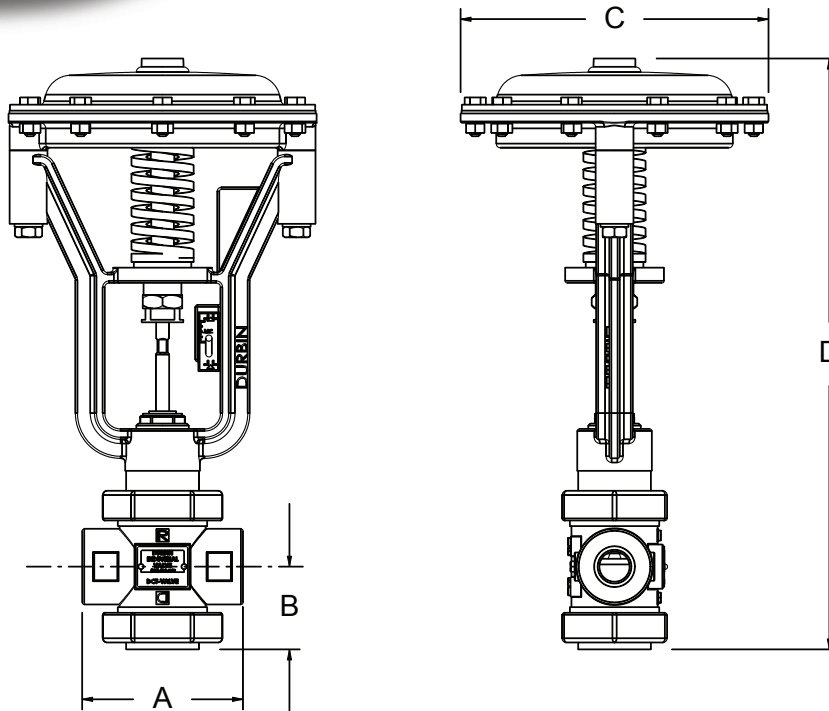
Benefits:

- Energy Efficiency; With an adjustable CV up to a maximum of 3.0, the low control valve offers better steam control on the low end to meet almost any of our customer's specific application requirements. Please specify the desired CV range when placing an order for this valve as the range is factory set only.
- Customizable: Control parameters can be customized to your application.
- Re-buildable valve; rebuild services offered by Durbin Industrial Valve, Inc., or field serviceable with Durbin Industrial Valve, Inc. Rebuild Kits
- Superior materials; more corrosion resistant materials that offer longer valve life

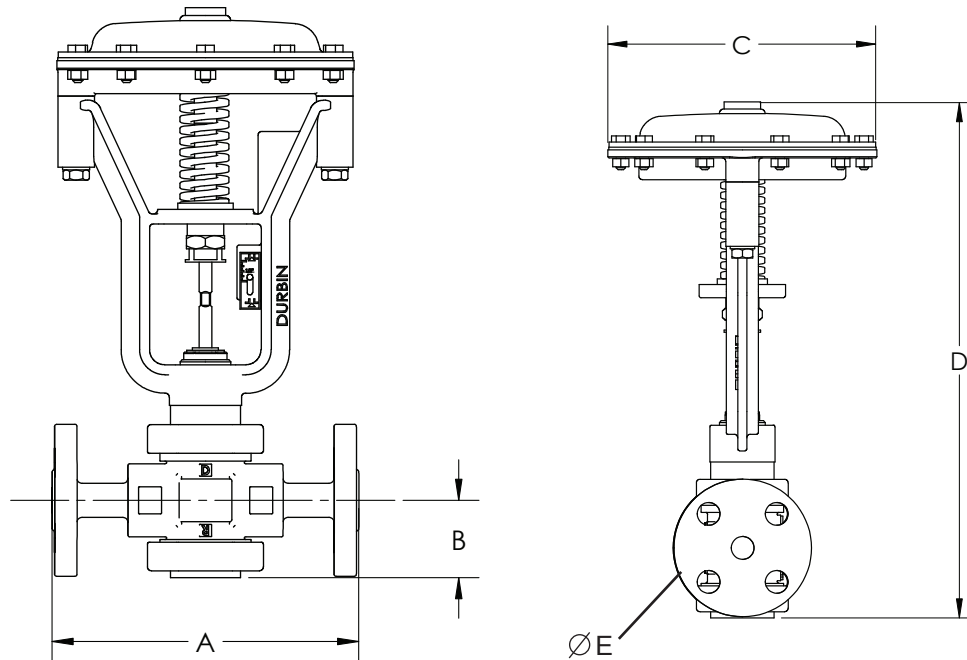


DURBIN

INDUSTRIAL VALVE, INC.



DURBIN LF VALVE DIMENSIONS		A	B	C	D
	IN	3-3/4"	2"	7-1/2"	14-1/2"
mm	95	51	191	368	



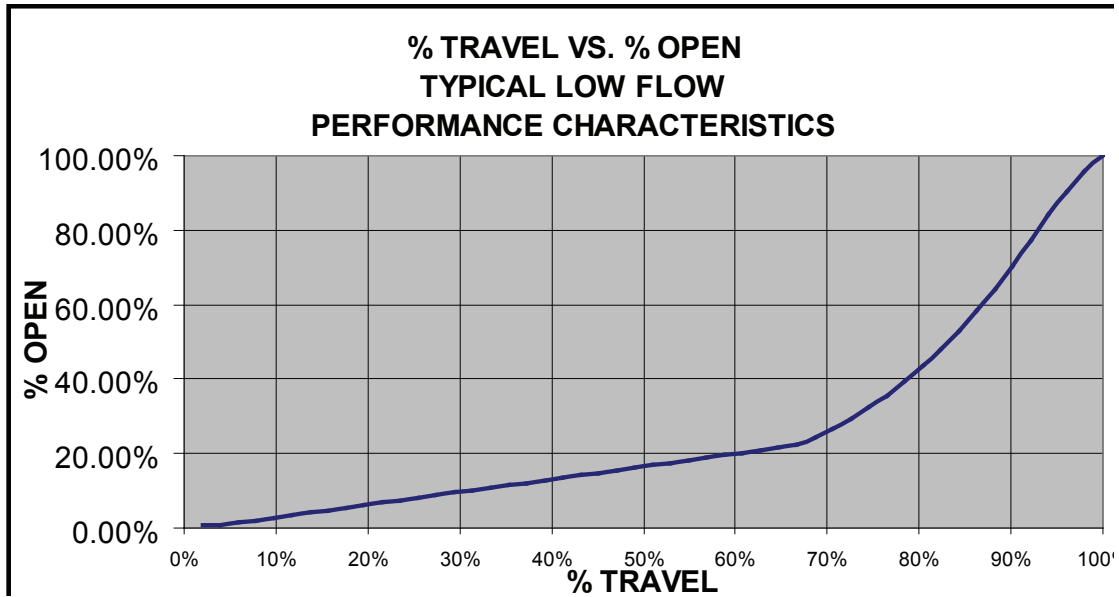
DURBIN LF VALVE DIMENSIONS		A	B	C	D	E
	IN	7 1/2"	2"	7"	14 1/2"	3 3/4"
mm	95	51	191	368	95.25	

For recommended assembly configuration please visit our website at www.durbinvalve.com



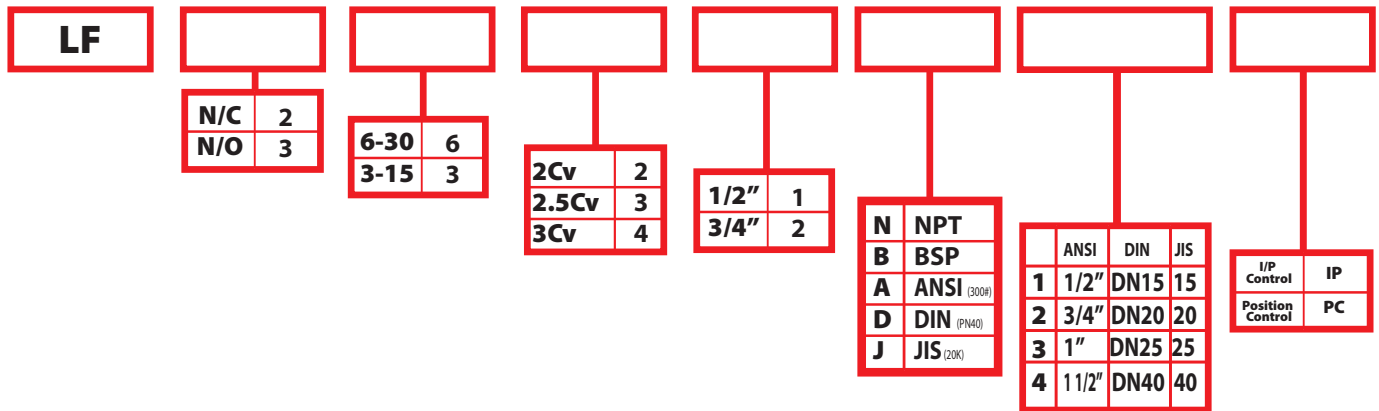
DURBIN

INDUSTRIAL VALVE, INC.



Ordering Information

Example: LF-2631NIP= 1/2", normally closed, 6-30psi, w/ 2.5 Cv Rating and NPT threaded ports with IP Control

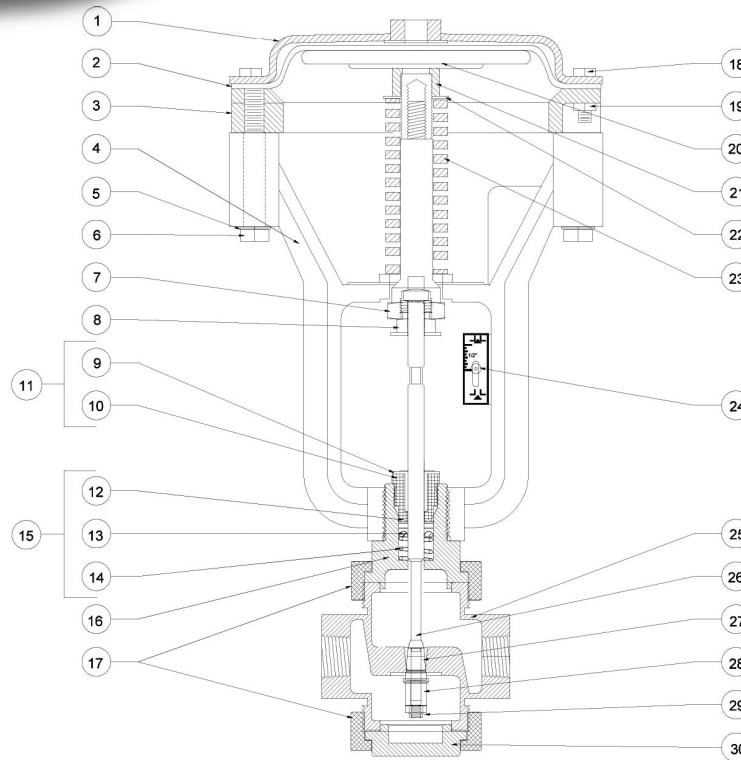


For recommended assembly configuration please visit our website at www.durbinvalve.com



DURBIN

INDUSTRIAL VALVE, INC.



LOW-FLOW CONTROL VALVE							
	VALVE NUMBER	LF-2621N	LF-2631N	LF-2641N	LF-2622N	LF-2632N	LF-2642N
	SIZE	1/2"	1/2"	1/2"	3/4"	3/4"	3/4"
	PILOT PRESSURE	6-30 PSI	6-30 PSI	6-30 PSI	6-30 PSI	6-30 PSI	6-30 PSI
	Cv RATING	2.0 Cv MAX	2.5 Cv MAX	3.0 Cv MAX	2.0 Cv MAX	2.5 Cv MAX	3.0 Cv MAX
ITEM	DESCRIPTION	PART #	PART #	PART #	PART #	PART #	PART
1	LID	C293-023D	C293-023D	C293-023D	C293-023D	C293-023D	C293-023D
2	DIAPHRAGM	C333-073D	C333-073D	C333-073D	C333-073D	C333-073D	C333-073D
3	RING	C893-015D	C893-015D	C893-015D	C893-015D	C893-015D	C893-015D
4	YOKE	D283-021D	D283-021D	D283-021D	D283-021D	D283-021D	D283-021D
5	LOCK WASHER (X2)	H175-21D	H175-21D	H175-21D	H175-21D	H175-21D	H175-21D
6	HEX BOLT (X2)	H096-55D	H096-55D	H096-55D	H096-55D	H096-55D	H096-55D
7	UPPER STEM	D143-031D	D143-031D	D143-031D	D143-031D	D143-031D	D143-031D
8	STEM SWIVEL NUT	C913-012D	C913-012D	C913-012D	C913-012D	C913-012D	C913-012D
9	PACKING NUT BUSHING	VP524	VP524	VP524	VP524	VP524	VP524
10	PACKING NUT	C853-092D	C853-092D	C853-092D	C853-092D	C853-092D	C853-092D
11	PACKING NUT ASSEMBLY	C853-090D	C853-090D	C853-090D	C853-090D	C853-090D	C853-090D
12	PACKERS (X3)	C683-069D	C683-069D	C683-069D	C683-069D	C683-069D	C683-069D
13	PACKING SPREADER	C713-012D	C713-012D	C713-012D	C713-012D	C713-012D	C713-012D
14	PACKING SPRING	D293-104D	D293-104D	D293-104D	D293-104D	D293-104D	D293-104D
15	PACKING KIT	C242-015D	C242-015D	C242-015D	C242-015D	C242-015D	C242-015D
16	PACKING GLAND	C113-058D	C113-058D	C113-058D	C113-058D	C113-058D	C113-058D
17	UNION NUTS (X2)	C663-022D	C663-022D	C663-022D	C663-022D	C663-022D	C663-022D
18	HEX BOLT (X10)	H096-10D	H096-10D	H096-10D	H096-10D	H096-10D	H096-10D
19	HEX NUT (X10)	H060-03D	H060-03D	H060-03D	H060-03D	H060-03D	H060-03D
20	DIAPHRAGM PISTON	C783-045D	C783-045D	C783-045D	C783-045D	C783-045D	C783-045D
21	ADJUSTING NUT	C573-016D	C573-016D	C573-016D	C573-016D	C573-016D	C573-016D
22	SPRING WASHER	C133-006D	C133-006D	C133-006D	C133-006D	C133-006D	C133-006D
23	DIAPHRAGM SPRING	D293-078D	D293-078D	D293-078D	D293-078D	D293-078D	D293-078D
24	N-C TRAVEL TAG, SCREW, NUT	C009D	C009D	C009D	C009D	C009D	C009D
25	BODY (1/2" NPT)	LF 400	LF 400	LF 400	LF 401	LF 401	LF 401
26	STEM	D093-038D	D093-038D	D093-039D	D093-038D	D093-038D	D093-039D
27	SEAL (THERMAL PLASTIC)	C343-08LF	C343-09LF	C343-07LF	C343-08LF	C343-09LF	C343-07LF
28	STEM WASHER	C913-015D	C913-015D	C913-015D	C913-015D	C913-015D	C913-015D
29	STEM NUT	C913-013D	C913-013D	C913-013D	C913-013D	C913-013D	C913-013D
30	BOTTOM CAP	C213-016D	C213-016D	C213-016D	C213-016D	C213-016D	C213-016D

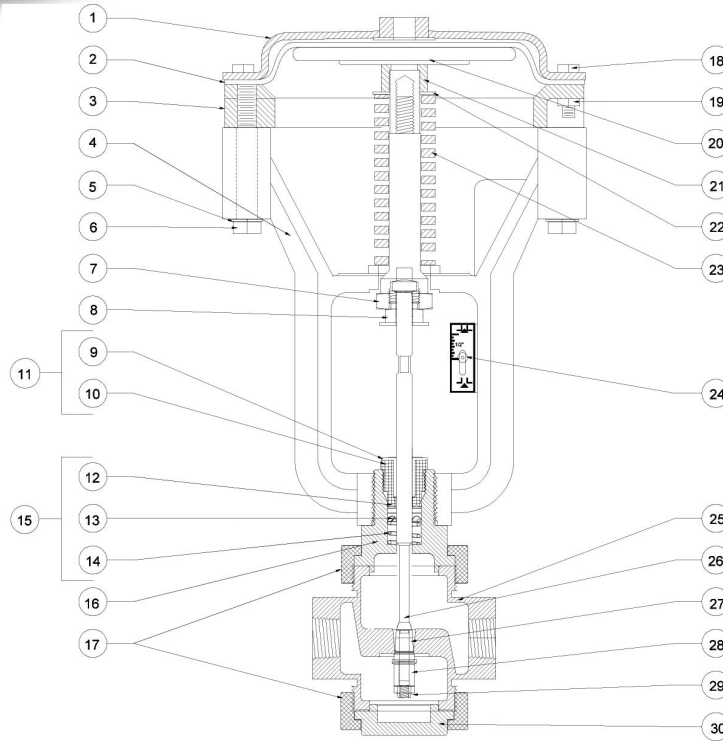
Cv Rating based on NPT threads

Please contact us for more information at 330.724.9968 or visit us online at www.durbinvalve.com



DURBIN

INDUSTRIAL VALVE, INC.



LOW-FLOW CONTROL VALVE							
	VALVE NUMBER	LF-2331N	LF-2341N	LF2342N	LF-2622N	LF-2632N	LF-2642N
	SIZE	1/2"	1/2"	1/2"	3/4"	3/4"	3/4"
	PILOT PRESSURE	3-15 PSI	3-15 PSI	3-15 PSI	3-15 PSI	3-15 PSI	3-15 PSI
	Cv RATING	2.0 Cv MAX	2.5 Cv MAX	3.0 Cv MAX	2.0 Cv MAX	2.5 Cv MAX	3.0 Cv MAX
ITEM	DESCRIPTION	PART #	PART #	PART #	PART #	PART #	PART #
1	LID	C293-023D	C293-023D	C293-023D	C293-023D	C293-023D	C293-023D
2	DIAPHRAGM	C333-073D	C333-073D	C333-073D	C333-073D	C333-073D	C333-073D
3	RING	C893-014D	C893-014D	C893-015D	C893-014D	C893-014D	C893-015D
4	YOKE	D283-021D	D283-021D	D283-021D	D283-021D	D283-021D	D283-021D
5	LOCK WASHER (X2)	H175-21D	H175-21D	H175-21D	H175-21D	H175-21D	H175-21D
6	HEX BOLT (X2)	H096-55D	H096-55D	H096-55D	H096-55D	H096-55D	H096-55D
7	UPPER STEM	D143-031D	D143-031D	D143-031D	D143-031D	D143-031D	D143-031D
8	STEM SWIVEL NUT	C913-012D	C913-012D	C913-012D	C913-012D	C913-012D	C913-012D
9	PACKING NUT BUSHING	VP524	VP524	VP524	VP524	VP524	VP524
10	PACKING NUT	C853-092D	C853-092D	C853-092D	C853-092D	C853-092D	C853-092D
11	PACKING NUT ASSEMBLY	C853-090D	C853-090D	C853-090D	C853-090D	C853-090D	C853-090D
12	PACKERS (X3)	C683-069D	C683-069D	C683-069D	C683-069D	C683-069D	C683-069D
13	PACKING SPREADER	C713-012D	C713-012D	C713-012D	C713-012D	C713-012D	C713-012D
14	PACKING SPRING	D293-104D	D293-104D	D293-104D	D293-104D	D293-104D	D293-104D
15	PACKING KIT	C242-015D	C242-015D	C242-015D	C242-015D	C242-015D	C242-015D
16	PACKING GLAND	C113-058D	C113-058D	C113-058D	C113-058D	C113-058D	C113-058D
17	UNION NUTS (X2)	C663-022D	C663-022D	C663-022D	C663-022D	C663-022D	C663-022D
18	HEX BOLT (X10)	H096-10D	H096-10D	H096-10D	H096-10D	H096-10D	H096-10D
19	HEX NUT (X10)	H060-03D	H060-03D	H060-03D	H060-03D	H060-03D	H060-03D
20	DIAPHRAGM PISTON	C783-045D	C783-045D	C783-045D	C783-045D	C783-045D	C783-045D
21	ADJUSTING NUT	C573-016D	C573-016D	C573-016D	C573-016D	C573-016D	C573-016D
22	SPRING WASHER	C133-006D	C133-006D	C133-006D	C133-006D	C133-006D	C133-006D
23	DIAPHRAGM SPRING	D293-079D	D293-079D	D293-079D	D293-079D	D293-079D	D293-079D
24	N-C TRAVEL TAG, SCREW, NUT	C009D	C009D	C009D	C009D	C009D	C009D
25	BODY	LF 400	LF 400	LF 400	LF 401	LF 401	LF 401
26	STEM	D093-038D	D093-038D	D093-039D	D093-038D	D093-038D	D093-039D
27	SEAL (THERMAL PLASTIC)	C343-08LF	C343-09 LF	C343-07 LF	C343-08 LF	C343-09 LF	C343-07 LF
28	STEM WASHER	C913-015D	C913-015D	C913-015D	C913-015D	C913-015D	C913-015D
29	STEM NUT	C913-013D	C913-013D	C913-013D	C913-013D	C913-013D	C913-013D
30	BOTTOM CAP	C213-016D	C213-016D	C213-016D	C213-016D	C213-016D	C213-016D

Cv Rating based on NPT threads

Please contact us for more information at 330.724.9968 or visit us online at www.durbinvalve.com