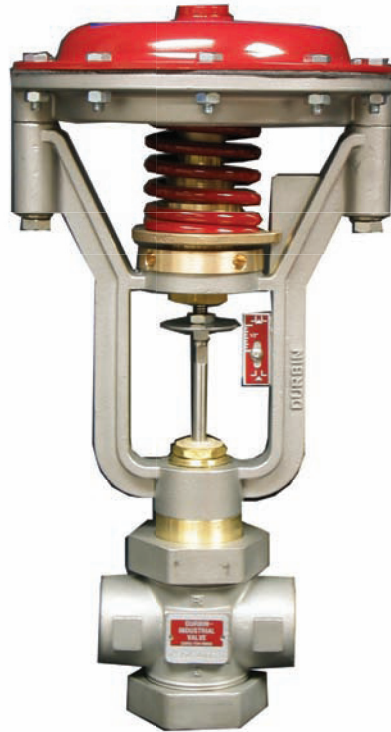




DURBIN

INDUSTRIAL VALVE, INC.

Model V Control Valve



Media Uses:

- Cold water, hot water, inert gases, steam

Features:

- Soft Seated, Class VI positive shut off valve
- Pneumatically operated control valve
- Port Sizes: 1/2", 3/4", 1", 1 1/4"
- System pressures: up to a maximum of 300 psi (~21 bar)
- Diaphragm Pilot air pressure range: 3 psi to 15 psi (~0.2 to 1.0 bar)
- Available ports in Standard NPT & BSP threads
- Offered in Normally Open & Normally Closed
- System temperature ranges -40°F to 450°F (-40°C to 231°C)
- Wetted components constructed of cast & machined corrosion resistant stainless steel
- Replaceable Soft Seat seal assures a positive shut off
- Engineered sealing edge meets highest ANSI/FCI 70-2 Class VI leakage rate standards

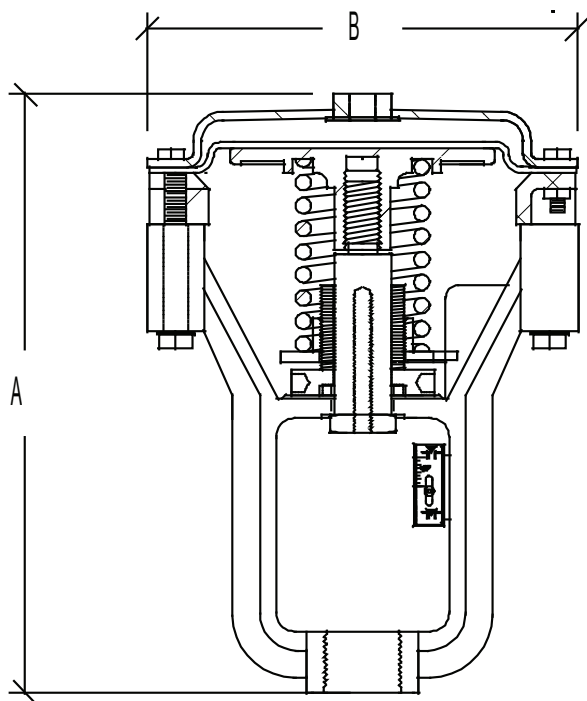
Benefits:

- Re-buildable valve; rebuild services offered by Durbin Industrial Valve, Inc., or field serviceable with Durbin Industrial Valve, Inc. Rebuild Kits
- Superior materials; more corrosion resistant materials that offer longer valve life

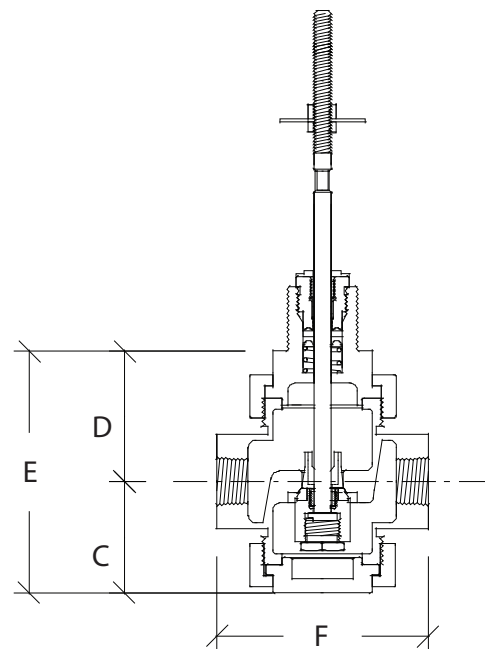


DURBIN

INDUSTRIAL VALVE, INC.



DIM.		SMALL TOP	LARGE TOP	LARGE TOP HEAVY
A	IN	10 3/8	9 5/8	9 5/8
	mm	264	245	245
B	IN	7 3/8	10 3/4	10 3/4
	mm	187	273	273

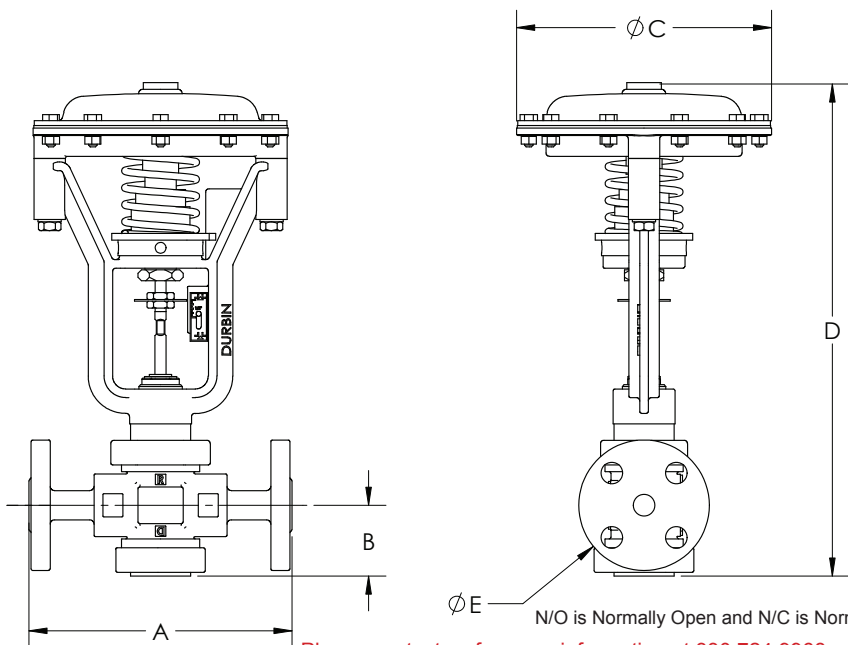


N/C

DIM.		1/2" BODY SIZE	3/4" BODY SIZE	1" BODY SIZE
C	IN	2	2 1/4	2 1/2
	mm	51	57	64
D	IN	2 1/4	2 5/8	2 5/8
	mm	57	67	67
E	IN	4 1/4	4 7/8	5 1/8
	mm	108	124	130
F	IN	3 3/4	4 1/4	4 1/4
	mm	95	108	108

N/O

DIM.		1/2" BODY SIZE	3/4" BODY SIZE	1" BODY SIZE
C	IN	2	2 1/4	2 1/4
	mm	51	57	57
D	IN	2 1/4	2 5/8	2 7/8
	mm	57	67	73
E	IN	4 1/4	4 7/8	5 1/8
	mm	108	124	130
F	IN	3 3/4	4 1/4	4 1/4
	mm	95	108	108



VALVE		A	B	C	D	E
A	IN	7 1/2"	2"	7"	14 1/2"	3 3/4"
	mm	195	50.8	177.8	368.3	95.25

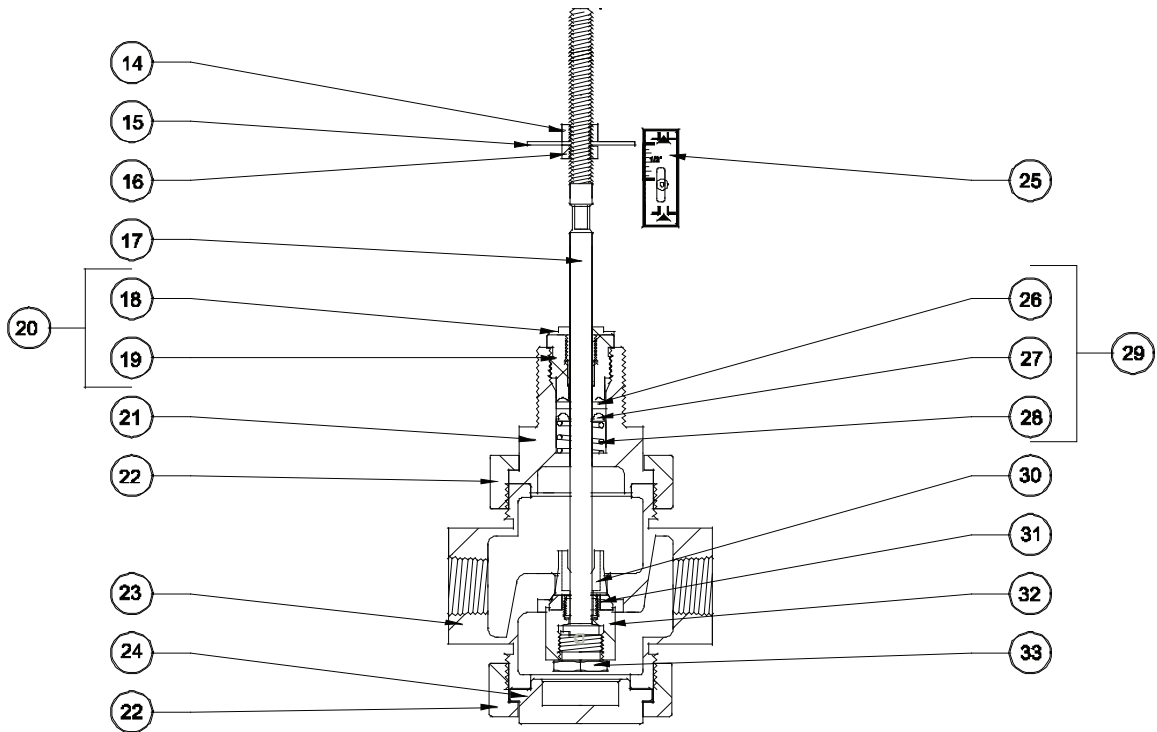
N/O is Normally Open and N/C is Normally Closed

Please contact us for more information at 330.724.9968 or visit us online at www.durbinvalve.com



DURBIN

INDUSTRIAL VALVE, INC.



REVERSE ACTING

VALVE MODEL NUMBER NORMALLY CLOSED SERIES, LOWER ASSEMBLY

VALVE NUMBER	D354-40061	D354-40071	D354-40561	D354-50071	D354-50671	D354-51671	D354-51771	D358-50071	D358-51671	D358-51771
	1/2" ST	1/2" LT	3/4" ST	3/4" LT	1" LT	1" LT	1 1/4" LT	3/4" LT-H	1" LT-H	1 1/4" LT-H
	Cv 6	Cv 6	Cv 6	Cv 11	Cv 11	Cv 15	Cv 15	Cv 11	Cv 15	Cv 15
ITEM	DESCRIPTION	PART #	PART #	PART #	PART #	PART #	PART #	PART #	PART #	PART #
14	UPPER LOCK NUT	C133-005D	C133-008D	C133-005D	C133-005D	C133-005D	C133-005D	C133-005D	C133-005D	C133-005D
15	INDICATOR WASHER	C593-011D	C593-011D	C593-011D	C593-011D	C593-011D	C593-011D	C593-011D	C593-011D	C593-011D
16	LOWER LOCK NUT	C133-008D	C133-008D	C133-008D	C133-008D	C133-008D	C133-008D	C133-008D	C133-008D	C133-008D
17	N/C STEM	D093-019D	D093-019D	D093-019D	D093-019D	D093-019D	D093-019D	D093-019D	D093-019D	D093-019D
18	PACKING NUT BUSH.	VP524	VP524	VP524	VP524	VP524	VP524	VP524	VP524	VP524
19	PACKIN NUT	C853-092D	C853-092D	C853-092D	C853-092D	C853-092D	C853-092D	C853-092D	C853-092D	C853-092D
20	PACKING NUT ASSY.	C853-090D	C853-090D	C853-090D	C853-090D	C853-090D	C853-090D	C853-090D	C853-090D	C853-090D
21	PACKING GLAND	C113-058D	C113-058D	C113-058D	C113-059D	C113-059D	C113-059D	C113-059D	C113-059D	C113-059D
22	UNION NUT (X2)	C663-022D	C663-022D	C663-022D	C663-026D	C663-026D	C663-026D	C663-026D	C663-026D	C663-026D
23	BODY W/ INTL SEAT	VP400	VP400	VP401	VP505	VP508	VP506	VP507	VP505	VP508
24	BOTTOM CAP	C213-016D	C213-016D	C213-016D	C213-020D	C213-020D	C213-028D	C213-028D	C213-020D	C213-028D
25	N/C INDICATOR TAG	C009D	C009D	C009D	C011D	C011D	C011D	C011D	C011D	C011D
26	PACKERS (X3)	C683-069D	C683-069D	C683-069D	C683-069D	C683-069D	C683-069D	C683-069D	C683-069D	C683-069D
27	PACKING SPREADER	C713-012D	C713-012D	C713-012D	C713-012D	C713-012D	C713-012D	C713-012D	C713-012D	C713-012D
28	PACKING SPRING	D293-104D	D293-104D	D293-104D	D293-104D	D293-104D	D293-104D	D293-104D	D293-104D	D293-104D
29	PACKING KIT	C242-015D	C242-015D	C242-015D	C242-015D	C242-015D	C242-015D	C242-015D	C242-015D	C242-015D
30	LOWER DISC	C913-009D	C913-009D	C913-009D	C343-021D	C343-021D	C343-029D	C343-029D	C343-021D	C343-029D
31	SEAL	C343-12VP	C343-12VP	C343-12VP	C343-34VP	C343-34VP	C343-10VP	C343-10VP	C343-34VP	C343-10VP
32	UPPER DISC	C913-008D	C913-008D	C913-008D	C343-022D	C343-022D	C343-024D	C343-024D	C343-022D	C343-024D
33	DISK NUT	C913-010D	C913-010D	C913-010D	C913-010D	C913-010D	C913-010D	C913-010D	C913-010D	C913-010D

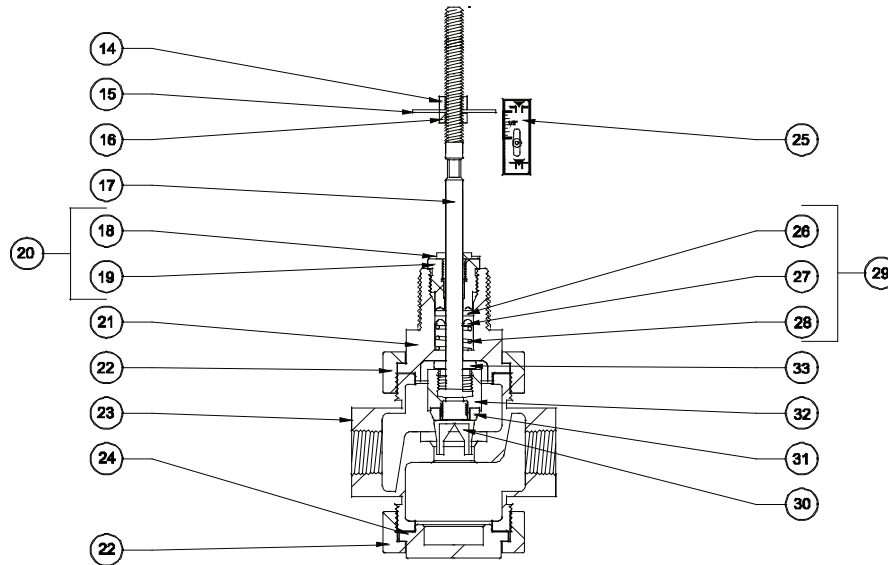
Cv Rating based on NPT threads

Please contact us for more information at 330.724.9968 or visit us online at www.durbinvalve.com



DURBIN

INDUSTRIAL VALVE, INC.



DIRECT ACTING

VALVE MODEL NUMBER NORMALLY OPEN SERIES, LOWER ASSEMBLY

VALVE NUMBER	D364-40061	D364-40071	D364-40561	D364-50071	D364-50671	D364-51671	D364-51771
	1/2" ST	1/2" LT	3/4" ST	3/4" LT	1" LT	1" LT	1 1/2" LT
	Cv 6	Cv 6	Cv 6	Cv 11	Cv 11	Cv 15	Cv 15
ITEM	DESCRIPTION	PART #	PART #	PART #	PART #	PART #	PART #
14	UPPER LOCK NUT	C133-005D	C133-005D	C133-005D	C133-005D	C133-005D	C133-005D
15	INDICATOR WASHER	C593-011D	C593-011D	C593-011D	C593-011D	C593-011D	C593-011D
16	LOWER LOCK NUT	C133-008D	C133-008D	C133-008D	C133-008D	C133-008D	C133-008D
17	N/O STEM	D093-022D	D093-022D	D093-022D	D093-022D	D093-022D	D093-022D
18	PACKING NUT BUSHING	VP524	VP524	VP524	VP524	VP524	VP524
19	PACKING NUT	C853-092D	C853-092D	C853-092D	C853-092D	C853-092D	C853-092D
20	PACKING NUT ASSY.	C853-090D	C853-090D	C853-090D	C853-090D	C853-090D	C853-090D
21	PACKING GLAND	C113-058D	C113-058D	C113-058D	C113-059D	C113-059D	C113-057D
22	UNION NUT (x2)	C663-022D	C663-022D	C663-022D	C663-026D	C663-026D	C663-026D
23	BODY W/ INTEGRAL SEAT	VP400	VP400	VP401	VP505	VP508	VP506
24	BOTTOM CAP	C213-016D	C213-016D	C213-016D	C213-020D	C213-020D	C213-020D
25	N/O INDICATOR TAG	C008D	C008D	C008D	C010D	C010D	C010D
26	PACKERS (x3)	C683-069D	C683-069D	C683-069D	C683-069D	C683-069D	C683-069D
27	PACKING SPREADER	C713-012D	C713-012D	C713-012D	C713-012D	C713-012D	C713-012D
28	PACKING SPRING	D293-104D	D293-104D	D293-104D	D293-104D	D293-104D	D293-104D
29	PACKING KIT	C242-015D	C242-015D	C242-015D	C242-015D	C242-015D	C242-015D
30	LOWER DISC	C553-007D	C553-007D	C553-007D	C343-023D	C343-023D	C343-025D
31	SEAL	C343-12VP	C343-12VP	C343-12VP	C343-34VP	C343-34VP	C343-10VP
32	UPPER DISC	C913-008D	C913-008D	C913-008D	C343-022D	C343-022D	C343-024D
33	DISC NUT	C553-008D	C553-008D	C553-008D	C553-008D	C553-008D	C553-008D

Cv Rating based on NPT threads

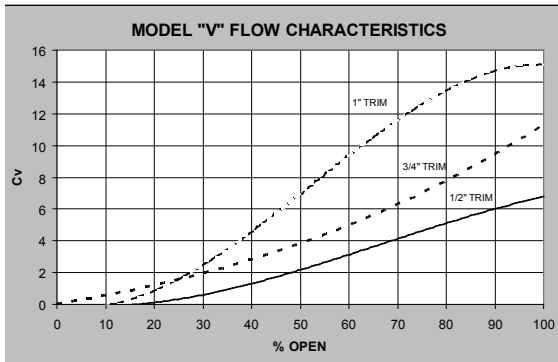
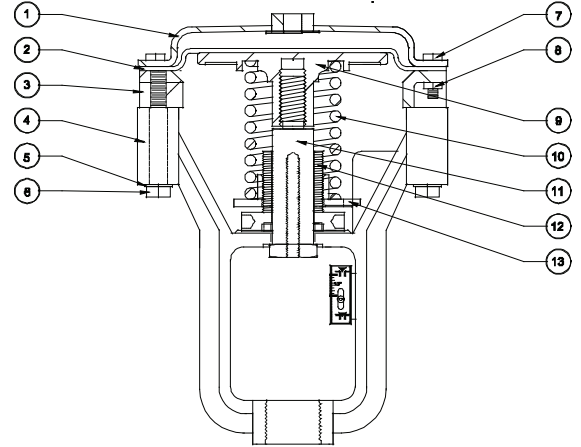
Please contact us for more information at 330.724.9968 or visit us online at www.durbinvalve.com



DURBIN

INDUSTRIAL VALVE, INC.

TOP ASSEMBLY				
ITEM	DESCRIPTION	#1 TOP	#2 TOP	#2 HEAVY
		PART #	PART #	PART #
1	LID	C293-023D	C293-030D	C293-030D
2	DIAPHRAGM	C333-053D	C333-051D	C333-051D
3	RING	C893-014D	C893-022D	C893-022D
4	YOKE	D283-021D	D283-061D	D283-061D
5	LOCK WASHER	H175-21	H175-21	H175-21
6	YOKE HEX BOLT	H096-55D	H096-49	H096-49
7	LID HEX BOLT	H096-01	H096-10	H096-10
8	LID HEX NUT	H060-03	H060-03	H060-03
9	PISTON	C783-043D	C783-068D	C783-068D
10	DIAPHRAGM SPRING	NC	D293-070D	D293-072D
		NO	D293-069D	D293-071D
11	UPPER STEM	D143-025D	D143-025D	D143-027D
12	SPRING ADJUSTING SCREW	C543-001D	C543-001D	C543-001D
13	SPRING ADJUSTING NUT	C133-009D	C133-010D	C133-010D



NORMALLY CLOSED				
VALVE NUMBER	OPERATING PRESSURES	TRIM SIZE	PORT SIZE	TOP SIZE
D354-40061	250	1/2"	1/2" NPT	#1
D354-40071	250	1/2"	1/2" NPT	#2
D354-40561	250	1/2"	3/4" NPT	#1
D354-50071	220	3/4"	3/4" NPT	#2
D354-50671	220	3/4"	1" NPT	#2
D354-51671	150	1"	1" NPT	#2
D354-51771	150	1"	1-1/4" NPT	#2
D358-50071	250	3/4"	3/4" NPT	#2H
D358-51671	250	1"	1" NPT	#2H
D358-51771	250	1"	1-1/4" NPT	#2H

NORMALLY OPEN				
VALVE NUMBER	OPERATING PRESSURES	TRIM SIZE	PORT SIZE	TOP SIZE
D364-40061	300	1/2"	1/2" NPT	#1
D364-40071	300	1/2"	1/2" NPT	#2
D364-40561	300	1/2"	3/4" NPT	#1
D364-50071	250	3/4"	3/4" NPT	#2
D364-50671	250	3/4"	1" NPT	#2
D364-51671	250	1"	1" NPT	#2
D364-51771	250	1"	1-1/4" NPT	#2

Cv Rating based on NPT threads

Please contact us for more information at 330.724.9968 or visit us online at www.durbinvalve.com