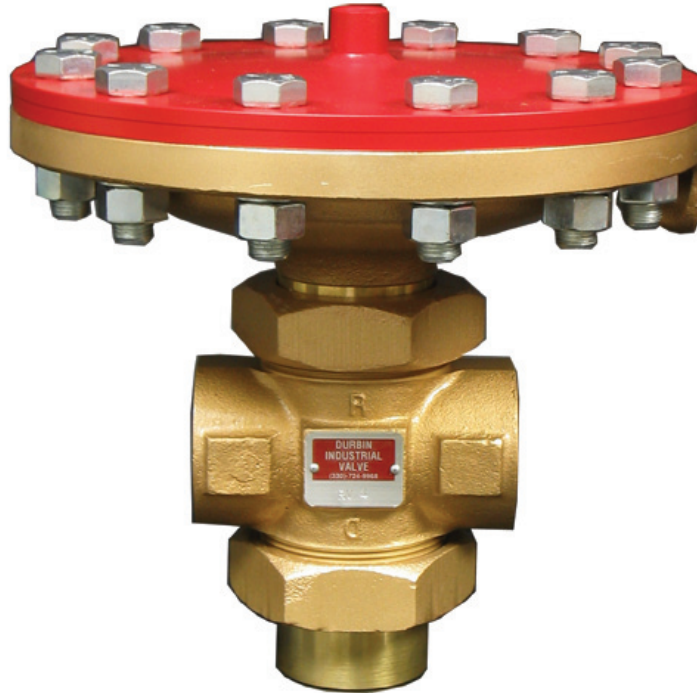




DURBIN

INDUSTRIAL VALVE, INC.

Pressure Reducing Valve



Media Uses:

- Steam

Features:

- Soft Seated, Class VI positive shut off valve
- Pneumatically operated control valve
- Port sizes; 1/2", 3/4", 1"
- System pressures: up to a maximum of 300 psi (21 bar)
- Available ports in Standard NPT & BSP threads
- System temperature ranges -40°F to 450°F (-40°C to 231°C)
- Wetted components constructed of cast & machined corrosion resistant stainless steel
- Replaceable Soft Seat seal assures a positive shut off
- Engineered sealing edge meets highest ANSI/FCI 70-2 Class VI leakage rate standards

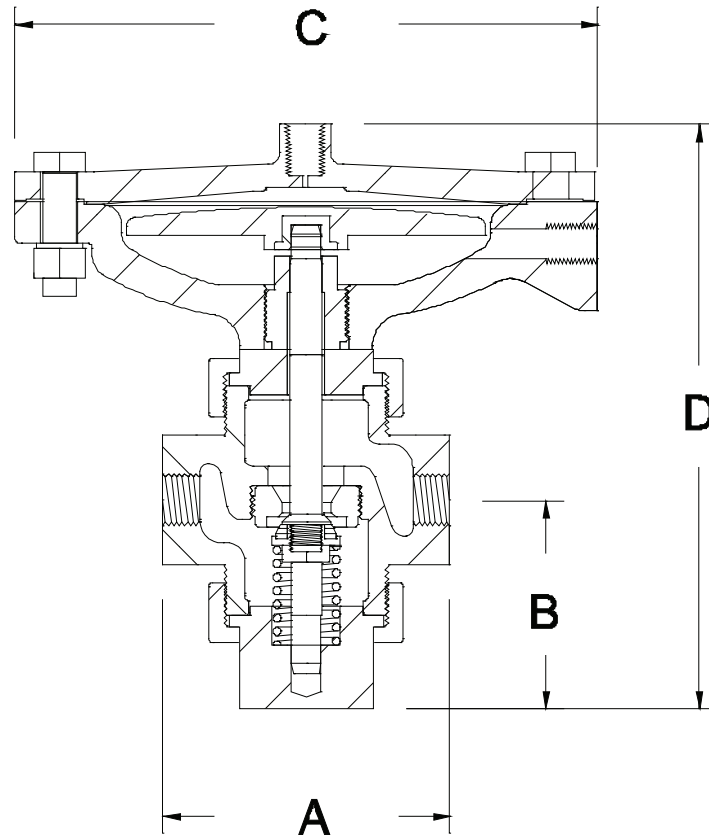
Benefits:

- Time saving; the true 1:1 ratio saves time as there is no re-calibration needed upon installation
- Re-buildable valve; rebuild services offered by Durbin Industrial Valve, Inc., or field serviceable with Durbin Industrial Valve, Inc. Rebuild Kits
- Superior materials; more corrosion resistant materials that offer longer valve life
- Direct Replacement; valve & components interchangeable with Leslie™ GPK-4T



DURBIN

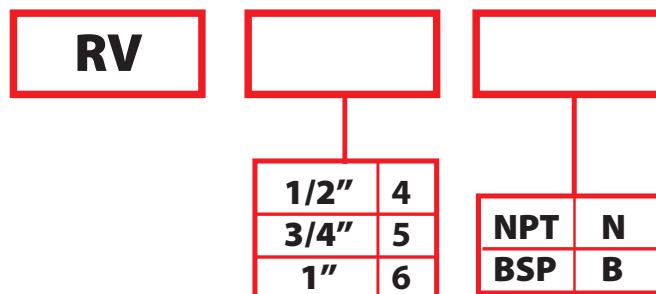
INDUSTRIAL VALVE, INC.



VALVE		A	B	C	D
RV4,RV5,RV6	IN	4 1/4"	3"	8 3/4"	8 3/4"
	mm	108	76	222	222

Ordering Information

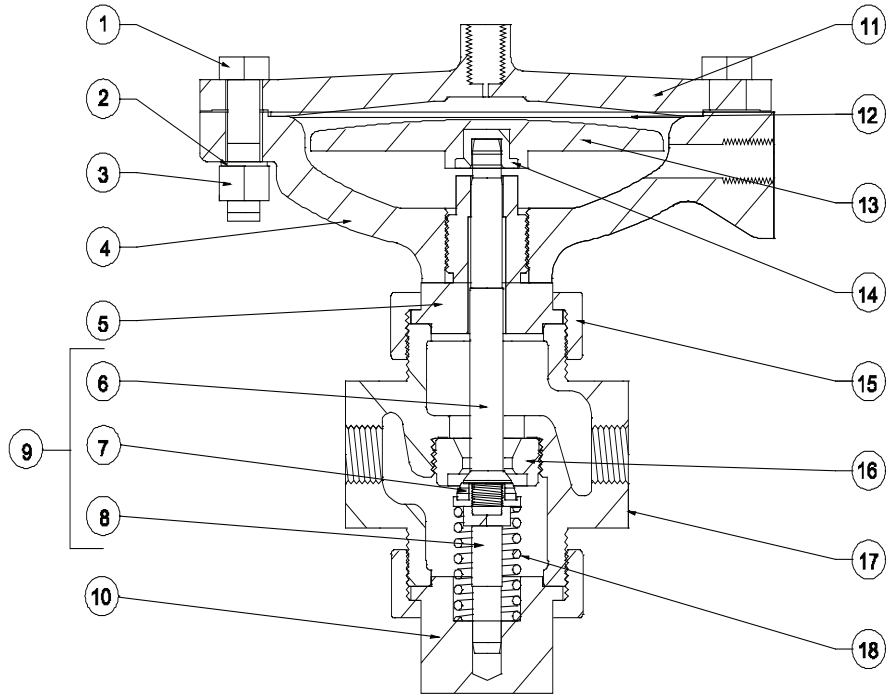
Example:RV-4N= 1/2", w/ NPT threaded ports





DURBIN

INDUSTRIAL VALVE, INC.



PRESSURE REDUCING VALVE				
	VALVE NUMBER	RV-4	RV-5	RV-6
	SIZE	1/2" N/C	3/4" N/C	1" N/C
	Cv RATING	Cv 6.5	Cv 11	Cv 15
ITEM	DESCRIPTION	PART #	PART #	PART #
1	HEX BOLT	RV512	RV512	RV512
2	TOOTH WASHER	RV516	RV516	RV516
3	HEX NUT	RV513	RV513	RV513
4	DIAPHRAGM HOUSING	RV502	RV502	RV502
5	PACKING GLAND	RV508	RV508	RV508
6	UPPER STEM	RV407	RV507	RV607
7	THERMAL PLASTIC	C343-12VP	C343-34VP	C343-10VP
8	LOWER STEM	RV405	RV505	RV605
9	STEM ASSEMBLY	RV415	RV515	RV615
10	BOTTOM CAP	RV503	RV503	RV603
11	LID	RV510	RV510	RV510
12	DIAPHRAGM	RV511	RV511	RV511
13	PISTON	RV509	RV509	RV509
14	PISTON BUSHING	RV521	RV521	RV521
15	UNION NUT	C663-026D	C663-026D	C663-026D
16	SEAT	RV414	RV514	RV614
17	BODY	RV400	RV500	RV600
18	SPRING	D293-003D	D293-003D	D293-021D

Cv Rating based on NPT threads • N/O is Normally Open and N/C is Normally Closed

Please contact us for more information at 330.724.9968 or visit us online at www.durbinvalve.com