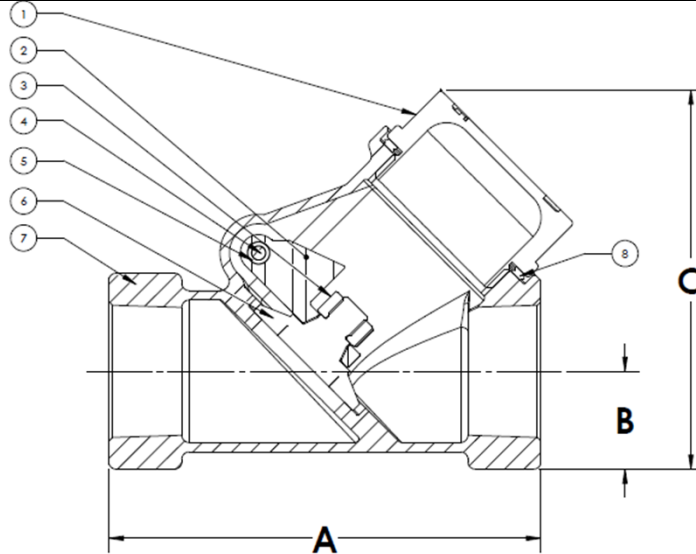


DURBIN SWING CHECK VALVES

DURBIN INDUSTRIAL VALVE

CV VALVE DIMENSIONS/ PARTS LIST



CHECK VALVE DIMENSIONS

CHECK VALVE NPT DIMENSIONS						
ITEM		1/2"	3/4"	1"	1-1/4"	1-1/2"
A	IN	2 3/4"	2 3/4"	4 1/4"	4 1/4"	6"
	mm	70	70	108	108	152
B	IN	3/4"	3/4"	1 1/4"	1 1/4"	1 3/8"
	mm	19	19	32	32	35
C	IN	2 3/4"	2 3/4"	4 1/4"	4 1/4"	5"
	mm	70	70	108	108	127
WEIGHT	LBS	4	4	5	5	11
	KG	1.8	1.8	2.3	2.3	4.9

CHECK VALVE PARTS LIST

SWING CHECK VALVE PARTS LIST						
	VALVE NUMBER	CV10	CV20	CV30	CV40	CV50
	SIZE	1/2"	3/4"	1"	1 1/4"	1 1/2"
	Cv RATING	Cv 12	Cv 18	Cv 28	Cv 30	Cv 45
ITEM	DESCRIPTION	PART #	PART #	PART #	PART #	PART #
1	CAP	CV100-SS	CV100-SS	CV300-SS	CV300-SS	CV500-SS
2	SWINGARM	CV103-SS	CV103-SS	CV303-SS	CV303-SS	CV503-SS
3	NUT	CV104	CV104	CV304	CV304	CV504
4	PIN	CV102	CV102	CV502	CV502	CV502
5	BUSHING	CV101	CV101	CV301	CV301	CV501
6	SEAT DISK	CV105H	CV105H	CV305H	CV305H	CV505H
7	BODY	CV106-SS	CV206-SS	CV306-SS	CV406-SS	CV506-SS
8	GASKET	C343-070D	C383-070D	C383-074D	C383-074D	C383-028D