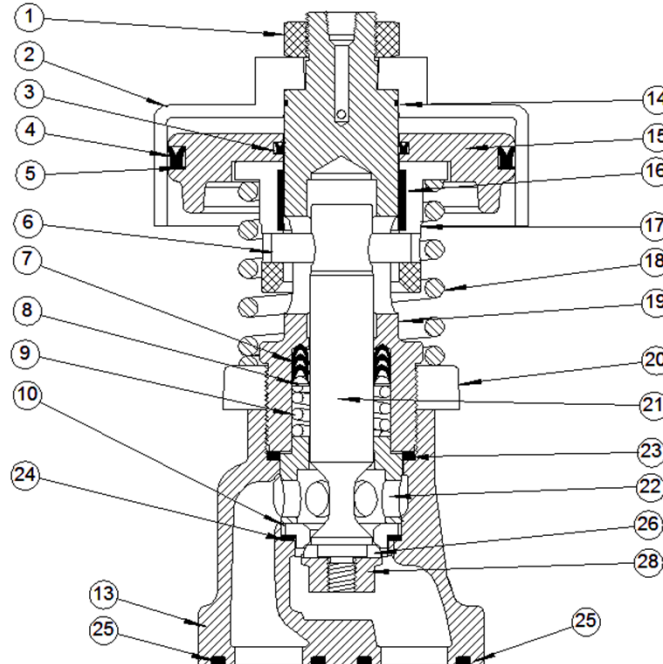


DURBIN MANIFOLD SERIES

DURBIN INDUSTRIAL VALVE

2WNC DURBIN MANIFOLD PARTS LIST



| NOMINAL VALVE SIZE | | 1/2" | | 1" | |
|--------------------|---------------------------|--------------------|----------------|--------------------|----------------|
| OPERATION | | 2W NORMALLY CLOSED | | 2W NORMALLY CLOSED | |
| VALVE | | D304-20092 | D304-20091 | D304-40192 | D304-40191 |
| ITEM | DESCRIPTION | HARD SEATED | SOFT SEATED | HARD SEATED | SOFT SEATED |
| 1 | LID NUT | C583-024D | C583-024D | C583-025D | C583-025D |
| 2 | LID/COVER | C293-107D | C293-107D | C293-109D | C293-109D |
| 3 | GLAND SEAL | H145-85D | H145-85D | H145-43D | H145-43D |
| 4 | PISTON SEAL | H145-86D | H145-86D | H145-56D | H145-56D |
| 5 | PISTON SEAL BACKUP WASHER | H143-111D | H143-111D | H143-114D | H143-114D |
| 6 | ROLL PIN | H072-80D | H072-80D | H072-85D | H072-85D |
| 7 | PACKER KIT | H272-03D | H272-03D | C242-022D | C242-022D |
| 8 | PACKING SPREADER | | | C713-004D | C713-004D |
| 9 | PACKING SPRING | | | D293-002Y | D293-002Y |
| 10 | SEAT RING | C963-160D | C963-148D | C963-161D | C963-149D |
| 11 | TEFLON RING | | | | |
| 12 | SEAT RETAINER | | | | |
| 13 | BODY | C093-311D | C093-311D | C093-313D | C093-313D |
| 14 | GLAND ORING | H136-77D | H136-77D | H137-84D | H137-84D |
| 15 | PISTON | C783-152D | C783-152D | C783-153D | C783-153D |
| 16 | WEAR RING | D333-002D | D333-002D | D333-003D | D333-003D |
| 17 | SPRING RETAINER | C883-032D | C883-032D | C883-033D | C883-033D |
| 18 | PISTON SPRING | D293-145DR | D293-145DR | D293-146DR | D293-146DR |
| 19 | PACKING GLAND | C013-021D | C013-021D | C013-022D | C013-022D |
| 20 | GLAND NUT | C633-042D | C633-042D | C633-043D | C633-043D |
| 21 | STEM | D093-225D | D093-239D | D093-230D | D093-241D |
| 22 | SEAT CAGE | C873-015D | C873-015D | C873-019D | C873-019D |
| 23 | BODY GASKET | C383-075D | C383-075D | C383-076D | C383-076D |
| 24 | SEAT GASKET | C383-010D (2X) | C383-010D (2X) | C383-019D | C383-019D |
| 25 | BOTTOM GASKET | C383-062D (2X) | C383-062D (2X) | C383-077D (2X) | C383-077D (2X) |
| 26 | SOFT SEAL DISC | | C343-068D | | C343-069D |
| 27 | DISC WASHER | | | | |
| 28 | DISC NUT | | C553-021D | | C553-023D |
| 29 | STEM ASSEMBLY | | C332-099D | | C332-102D |
| | SERVICE KIT | C242-041D | C242-041D | C242-043D | C242-043D |

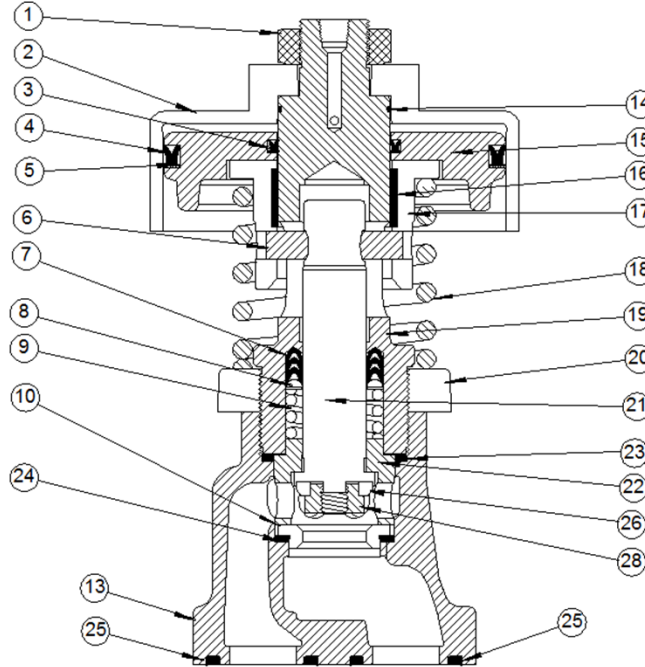
Please contact us for more information at Phone: 330.724.9968 Email: valve@durbinvalve.com Website: www.durbinvalve.com



DURBIN MANIFOLD SERIES

DURBIN INDUSTRIAL VALVE

2WNO DURBIN MANIFOLD PARTS LIST



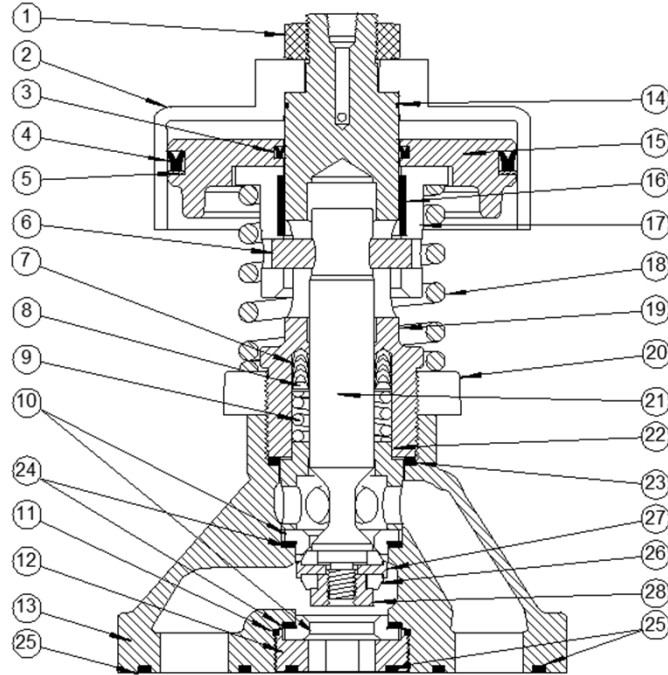
| NOMINAL VALVE SIZE | | 1/2" | | 1" | |
|--------------------|---------------------------|------------------|----------------|------------------|----------------|
| OPERATION | | 2W NORMALLY OPEN | | 2W NORMALLY OPEN | |
| VALVE | | D304-20122 | D304-20121 | D304-40222 | D304-40221 |
| ITEM | DESCRIPTION | HARD SEATED | SOFT SEATED | HARD SEATED | SOFT SEATED |
| 1 | LID NUT | C583-024D | C583-024D | C583-025D | C583-025D |
| 2 | LID/COVER | C293-107D | C293-107D | C293-109D | C293-109D |
| 3 | GLAND SEAL | H145-85D | H145-85D | H145-43D | H145-43D |
| 4 | PISTON SEAL | H145-86D | H145-86D | H145-56D | H145-56D |
| 5 | PISTON SEAL BACKUP WASHER | H143-111D | H143-111D | H143-114D | H143-114D |
| 6 | ROLL PIN | H072-80D | H072-80D | H072-85D | H072-85D |
| 7 | PACKER KIT | H272-03D | H272-03D | C242-022D | C242-022D |
| 8 | PACKING SPREADER | | | C713-004D | C713-004D |
| 9 | PACKING SPRING | | | D293-002Y | D293-002Y |
| 10 | SEAT RING | C963-160D | C963-148D | C963-161D | C963-149D |
| 11 | TEFLON RING | | | | |
| 12 | SEAT RETAINER | | | | |
| 13 | BODY | C093-316D | C093-316D | C093-318D | C093-318D |
| 14 | GLAND ORING | H136-77D | H136-77D | H137-84D | H137-84D |
| 15 | PISTON | C783-152D | C783-152D | C783-153D | C783-153D |
| 16 | WEAR RING | D333-002D | D333-002D | D333-003D | D333-003D |
| 17 | SPRING RETAINER | C883-032D | C883-032D | C883-033D | C883-033D |
| 18 | PISTON SPRING | D293-145DR | D293-145DR | D293-146DR | D293-146DR |
| 19 | PACKING GLAND | C013-021D | C013-021D | C013-022D | C013-022D |
| 20 | GLAND NUT | C633-042D | C633-042D | C633-043D | C633-043D |
| 21 | STEM | D093-231D | D093-238D | D093-232D | D093-240D |
| 22 | SEAT CAGE | C873-015D | C873-015D | C873-019D | C873-019D |
| 23 | BODY GASKET | C383-075D | C383-075D | C383-076D | C383-076D |
| 24 | SEAT GASKET | C383-010D (2X) | C383-010D (2X) | C383-019D | C383-019D |
| 25 | BOTTOM GASKET | C383-062D (2X) | C383-062D (2X) | C383-077D (2X) | C383-077D (2X) |
| 26 | SOFT SEAL DISC | | C343-068D | | C343-069D |
| 27 | DISC WASHER | | | | |
| 28 | DISC NUT | | C553-022D | | C553-024D |
| 29 | STEM ASSEMBLY | | C332-098D | | C332-101D |
| | SERVICE KIT | C242-041D | C242-041D | C242-043D | C242-043D |

Please contact us for more information at Phone: 330.724.9968 Email: valve@durbinvalve.com Website: www.durbinvalve.com

DURBIN MANIFOLD SERIES

DURBIN INDUSTRIAL VALVE

3-WAY DURBIN MANIFOLD PARTS LIST



| NOMINAL VALVE SIZE | | 1/2" | | 1" | |
|--------------------|---------------------------|--------------------|----------------|--------------------|----------------|
| OPERATION | | 3W NORMALLY CLOSED | | 3W NORMALLY CLOSED | |
| VALVE | | D304-20112 | D304-20111 | D304-40212 | D304-40211 |
| ITEM | DESCRIPTION | HARD SEATED | SOFT SEATED | HARD SEATED | SOFT SEATED |
| 1 | LID NUT | C583-024D | C583-024D | C583-025D | C583-025D |
| 2 | LID/COVER | C293-107D | C293-107D | C293-109D | C293-109D |
| 3 | GLAND SEAL | H145-85D | H145-85D | H145-43D | H145-43D |
| 4 | PISTON SEAL | H145-86D | H145-86D | H145-56D | H145-56D |
| 5 | PISTON SEAL BACKUP WASHER | H143-111D | H143-111D | H143-114D | H143-114D |
| 6 | ROLL PIN | H072-80D | H072-80D | H072-85D | H072-85D |
| 7 | PACKER KIT | H272-03D | H272-03D | C242-022D | C242-022D |
| 8 | PACKING SPREADER | | | C713-004D | C713-004D |
| 9 | PACKING SPRING | | | D293-002Y | D293-002Y |
| 10 | SEAT RING | C963-160D (2X) | C963-148D (2X) | C963-161D (2X) | C963-149D (2X) |
| 11 | TEFLON RING | H232-87D | H232-87D | H134-124 | H134-124 |
| 12 | SEAT RETAINER | C873-017D | C873-017D | C873-018D | C873-018D |
| 13 | BODY | C093-289D | C093-289D | C093-312D | C093-312D |
| 14 | GLAND ORING | H136-77D | H136-77D | H137-84D | H137-84D |
| 15 | PISTON | C783-152D | C783-152D | C783-153D | C783-153D |
| 16 | WEAR RING | D333-002D | D333-002D | D333-003D | D333-003D |
| 17 | SPRING RETAINER | C883-032D | C883-032D | C883-033D | C883-033D |
| 18 | PISTON SPRING | D293-145DR | D293-145DR | D293-146DR | D293-146DR |
| 19 | PACKING GLAND | C013-021D | C013-021D | C013-022D | C013-022D |
| 20 | GLAND NUT | C633-042D | C633-042D | C633-043D | C633-043D |
| 21 | STEM | D093-225D | D093-239D | D093-230D | D093-241D |
| 22 | SEAT CAGE | C873-015D | C873-015D | C873-019D | C873-019D |
| 23 | BODY GASKET | C383-075D | C383-075D | C383-076D | C383-076D |
| 24 | SEAT GASKET | C383-010D (2X) | C383-010D (2X) | C383-019D (2X) | C383-019D (2X) |
| 25 | BOTTOM GASKET | C383-062D (3X) | C383-062D (3X) | C383-077D(3X) | C383-077D(3X) |
| 26 | SOFT SEAL DISC | | C343-068D (2X) | | C343-069D (2X) |
| 27 | DISC WASHER | | C353-012D | | C353-013D |
| 28 | DISC NUT | | C553-022D | | C553-024D |
| 29 | STEM ASSEMBLY | | C332-100D | | C332-103D |
| | SERVICE KIT | C242-041D | C242-041D | C242-043D | C242-043D |

Please contact us for more information at Phone: 330.724.9968 Email: valve@durbinvalve.com Website: www.durbinvalve.com