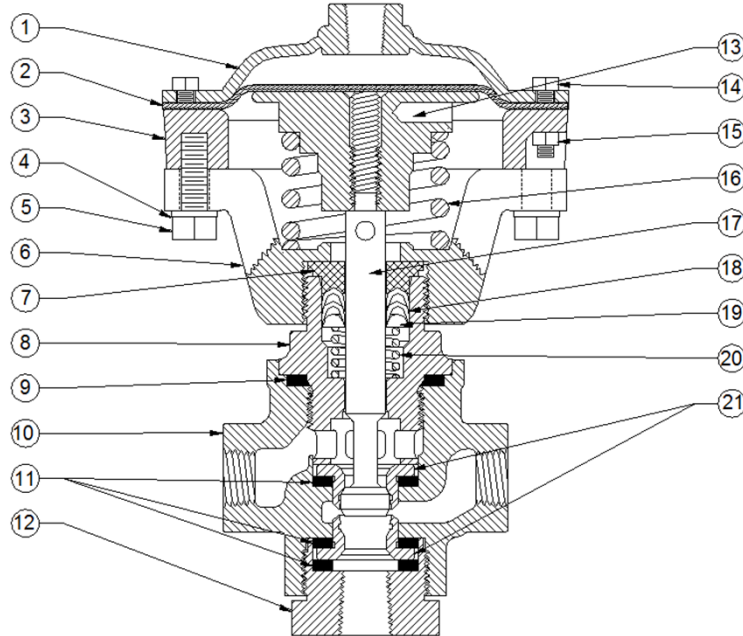


# SC STYLE REPLACEMENT VALVES

DURBIN INDUSTRIAL VALVE

## 1/4" 3WNC HARD SEATED VALVE PARTS LIST

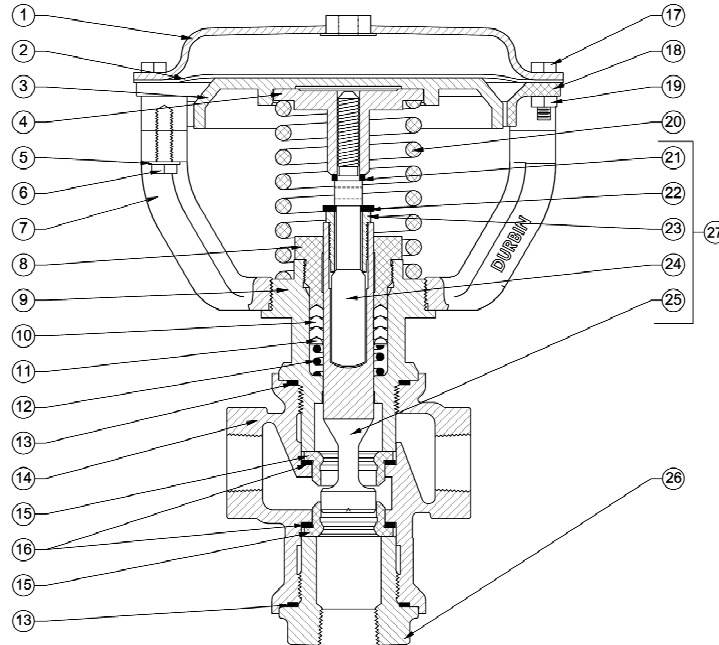


NOMINAL VALVE SIZE		1/4" 3W NORMALLY CLOSED	
VALVE		D264-00132	D264-00142
ITEM	DESCRIPTION	1/4" NPT	3/8" NPT
1	COVER/LID	M163-005D	M163-005D
2*	DIAPHRAGM	C333-056D	C333-056D
3	RING	M423-002D	M423-002D
4	LOCK WASHER (x2)	H175-16D	H175-16D
5	YOKE BOLT (x24)	H096-84D	H096-84D
6	YOKE	D283-184D	D283-184D
7	PACKING NUT	C603-030D	C603-030D
8	PACKING GLAND/ADAPTER	C013-015D	C013-015D
9*	BODY GASKET	C383-064D	C383-064D
10	BODY	C093-258D	C093-259D
11*	SEAT GASKET	C383-063D (x3)	C383-063D (x3)
12	BOTTOM CAP	C213-196D	C213-197D
13	SPRING RETAINER/PISTON	C783-141D	C783-141D
14	LID BOLT (x6)	H109-09D	H109-09D
15	LID NUT (x6)	H064-16D	H064-16D
16	DIAPHRAGM SPRING	D293-130D	D293-130D
17	STEM	D093-205D	D093-205D
18*	PACKER KIT	C242-024D	C242-024D
19	PACKING SPREADER	C713-017D	C713-017D
20	PACKING SPRING	D293-131D	D293-131D
21	SEAT RING	C963-145D	C963-145D
22	STEM STOP	-	-
	SWIVEL NUT	C242-049D	C242-049D

# SC STYLE REPLACEMENT VALVES

DURBIN INDUSTRIAL VALVE

## 1/2" - 1 1/2" 3WNC HARD SEATED VALVE PARTS LIST



NOMINAL VALVE SIZE		1/2" - 2" 3W NC HARD SEATED PARTS LIST													
VALVE		1/2"				1"				1-1/2"					
ITEM	DESCRIPTION	1/2" LG TOP	1/2" SM TOP	3/4" LG TOP	3/4" SM TOP	1" LG TOP	1" SM TOP	1-1/4" LG TOP	1-1/4" SM TOP	1-1/4" LG TOP	1-1/4" SM TOP	1-1/2" LG TOP	1-1/2" SM TOP	2" LG TOP	2" SM TOP
1	COVER/LID	C293-023D	C293-018D	C293-023D	C293-018D	C293-030D	C293-091D	C293-030D	C293-091D	C293-036D	C293-036D	C293-036D	C293-036D	C293-036D	C293-030D
2*	DIAPHRAGM	C333-053D	C333-049D	C333-053D	C333-049D	C333-051D	C333-050D	C333-051D	C333-050D	C333-052D	C333-051D	C333-052D	C333-051D	C333-052D	C333-051D
3	PISTON	C783-048D	C783-032D	C783-048D	C783-032D	C783-081D	C783-061D	C783-081D	C783-061D	C783-102D	C783-071D	C783-102D	C783-071D	C783-102D	C783-071D
4	SPRING RETAINER	C883-006D	C883-006D	C883-006D	C883-006D	C883-008D	C883-008D	C883-008D	C883-008D	C883-009D	C883-009D	C883-009D	C883-009D	C883-009D	C883-009D
5	LOCK WASHER (x4)	-	-	-	-	H175-21D	H175-21D	H175-21D	H175-21D	H175-21D	H175-21D	H175-21D	H175-21D	H175-21D	H175-21D
6	YOKE BOLT (x4)	-	-	-	-	H096-49D	H096-52D	H096-49D	H096-52D	H096-49D	H096-49D	H096-49D	H096-49D	H096-49D	H096-49D
7	YOKE	-	-	-	-	D283-186D	D283-185D	D283-186D	D283-185D	D283-099D	D283-100D	D283-099D	D283-100D	D283-099D	D283-100D
8	PACKING NUT	C563-008D	C563-008D	C563-008D	C563-008D	C853-015D	C853-015D	C853-015D	C853-015D	C563-022D	C563-022D	C563-022D	C563-022D	C563-022D	C563-022D
9	PACKING GLAND	C013-006D	C013-006D	C013-006D	C013-006D	C013-009D	C013-009D	C013-009D	C013-009D	C013-007D	C013-007D	C013-007D	C013-007D	C013-007D	C013-007D
10*	PACKER KIT	C242-021D	C242-021D	C242-021D	C242-021D	C242-022D	C242-022D	C242-022D	C242-022D	C242-023D	C242-023D	C242-023D	C242-023D	C242-023D	C242-023D
11	PACKING SPREADER	C713-003D	C713-003D	C713-003D	C713-003D	C713-004D	C713-004D	C713-004D	C713-004D	C713-007D	C713-007D	C713-007D	C713-007D	C713-007D	C713-007D
12	PACKING SPRING	D293-001D	D293-001D	D293-001D	D293-001D	D293-002D	D293-002D	D293-002D	D293-002D	D293-004D	D293-004D	D293-004D	D293-004D	D293-004D	D293-004D
13*	BODY GASKET (x2)	C383-022D	C383-022D	C383-022D	C383-022D	C383-028D	C383-028D	C383-028D	C383-028D	C383-032D	C383-032D	C383-032D	C383-032D	C383-032D	C383-032D
14	3W BODY	C093-151D	C093-151D	C093-152D	C093-152D	C093-149D	C093-149D	C093-148D	C093-148D	C093-153D	C093-153D	C093-150D	C093-150D	C093-266D	C093-266D
15	HARD SEAT (x2)	C963-008D	C963-008D	C963-008D	C963-008D	C963-052D	C963-052D	C963-052D	C963-052D	C963-085D	C963-085D	C963-085D	C963-085D	C963-085D	C963-085D
16*	SEAT GASKET (X2)	C383-010D	C383-010D	C383-010D	C383-010D	C383-019D	C383-019D	C383-019D	C383-019D	C383-029D	C383-029D	C383-029D	C383-029D	C383-029D	C383-029D
17	HEX BOLT	H096-10D	H096-10D	H096-10D	H096-10D	H096-10D	H096-10D	H096-10D	H096-10D	H096-12D	H096-10D	H096-12D	H096-10D	H096-12D	H096-10D
18	RING/RINGYOKE	D283-140D	D283-139D	D283-140D	D283-139D	C893-022D	C893-048D	C893-022D	C893-048D	C893-031D	C893-022D	C893-031D	C893-022D	C893-031D	C893-022D
19	HEX NUT	H060-03D	H060-03D	H060-03D	H060-03D	H060-03D	H060-03D	H060-03D	H060-03D	H060-03D	H060-03D	H060-03D	H060-03D	H060-03D	H060-03D
20	DIAPHRAGM SPRING	D293-157D	D293-157D	D293-157D	D293-157D	D293-147D	D293-147D	D293-147D	D293-147D	D293-051D	D293-054D	D293-051D	D293-054D	D293-051D	D293-054D
21	WASHER	D223-019D	D223-019D	D223-019D	D223-019D	D223-030D	D223-030D	D223-030D	D223-030D	-	-	-	-	-	-
22	DUST WASHER	H132-04D	H132-04D	H132-04D	H132-04D	H132-05D	H132-05D	H132-05D	H132-05D	H132-05D	H132-06D	H132-06D	H132-06D	H132-06D	H132-06D
23	SWIVEL NUT	C643-002D	C643-002D	C643-002D	C643-002D	C643-006D	C643-006D	C643-006D	C643-006D	C643-010D	C643-010D	C643-010D	C643-010D	C643-010D	C643-010D
24	SWIVEL STEM	D093-037D	D093-037D	D093-037D	D093-037D	D093-086D	D093-086D	D093-086D	D093-086D	D093-146D	D093-146D	D093-146D	D093-146D	D093-146D	D093-146D
25	HARD STEM	D093-088D	D093-088D	D093-088D	D093-088D	D093-147D	D093-147D	D093-147D	D093-147D	D093-173D	D093-173D	D093-173D	D093-173D	D093-173D	D093-173D
26	BOTTOM CAP	C213-177D	C213-177D	C213-178D	C213-178D	C213-175D	C213-175D	C213-176D	C213-176D	C213-180D	C213-180D	C213-181D	C213-181D	C213-201D	C213-201D
27	STEM ASSEMBLY	C332-007D	C332-007D	C332-007D	C332-007D	C332-022D	C332-022D	C332-022D	C332-022D	C332-044D	C332-044D	C332-044D	C332-044D	C332-044D	C332-044D
	SERVICE KIT	C242-050D	C242-051D	C242-050D	C242-051D	C242-052D	C242-053D	C242-052D	C242-053D	C242-054D	C242-055D	C242-054D	C242-055D	C242-054D	C242-055D

Please contact us for more information at Phone: 330.724.9968 Email: valve@durbinvalve.com Website: www.durbinvalve.com