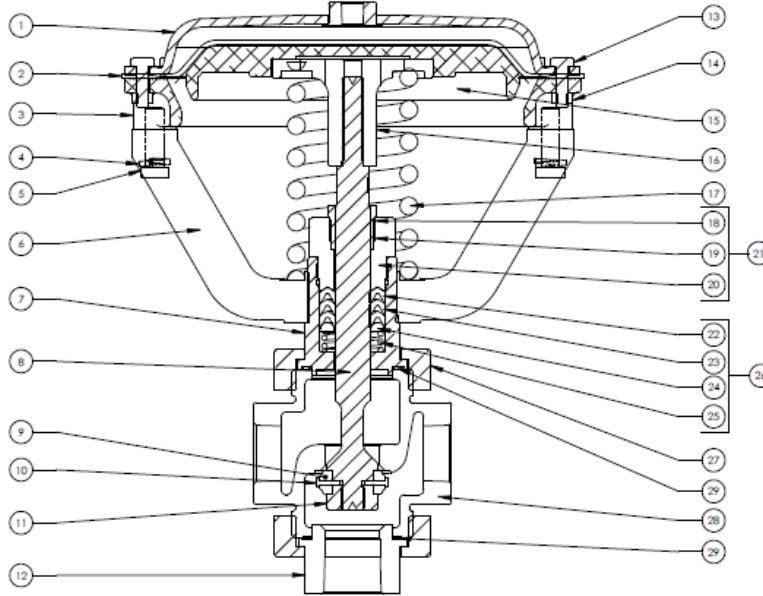


# DURBIN 500 PSI SERIES

DURBIN INDUSTRIAL VALVE

## 3WNC VALVE PARTS LIST

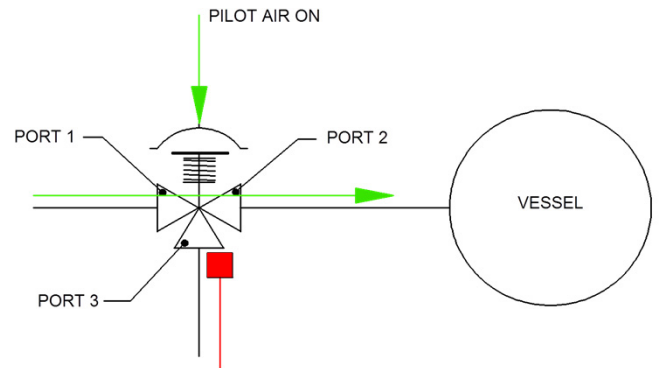
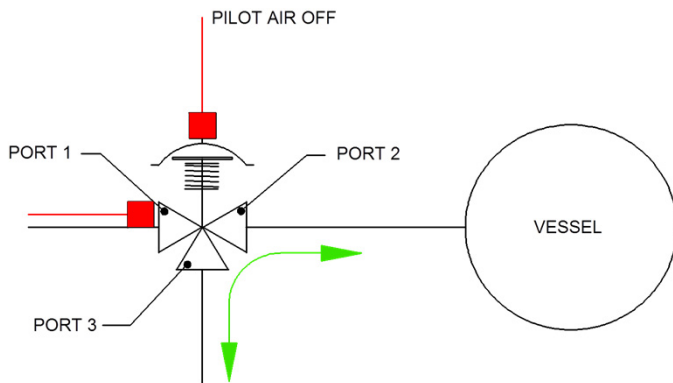


3 Way N/C 500 PSI					
	VALVE NUMBER	D2621	D2631	D2641	D2651
	Cv RATING	Cv 12.5	Cv 16	Cv 23.5	Cv30.25
ITEM	DESCRIPTION	PART #	PART #	PART #	PART #
1	LID	C293-023DR	C293-023DR	C293-030DR	C293-030DR
2*	DIAPHRAGM	C333-053D	C333-053D	C333-051D	C333-051D
3	RING	C893-015D-SS	C893-015D-SS	C893-022D-SS	C893-022D-SS
4	LOCK WASHER	H175-21	H175-21	H175-21	H175-21
5	HEX BOLT	H096-55	H096-55	H096-50	H096-50
6	YOKE	D283-025D-SS	D283-025D-SS	D283-062D-SS	D283-062D-SS
7	PACKING GLAND	C113-056D	C113-056D	C013-008D-SS	C013-008D-SS
8	STEM	D093-024D	D093-024D	D093-025D	D093-025D
9*	SEAL	C343-12VP	C343-12VP	C343-35D	C343-35D
10	STEM WASHER	C353-012D	C353-012D	C353-013D	C353-013D
11	SOFT NUT	C553-017D	C553-017D	C553-024D	C553-024D
12	SEAT	C963-032D	C963-050D	C963-053D	C963-051D
13	HEX BOLT	H096-10	H096-10	H096-10	H096-10
14	HEX NUT	H060-03	H060-03	H060-03	H060-03
15	PISTON	C783-044D-IC	C783-044D-IC	C783-081D-AL	C783-081D-AL
16	SPRING RETAINER			C883-069D	C883-069D
17	SPRING	D293-028-5DR	D293-028-5DR	D293-147-5DR	D293-147-5DR
18	SNAP RING	H090-16	H090-16		
19	PACKING NUT BRUSHING	DF523	DF523	DF524	DF524
20	PACKING NUT	C853-093D	C853-093D	C563-009D-SS	C563-009D-SS
21	PACKING NUT ASSEMBLY	C853-091D	C853-091D		
22*	PACKER	H220-21	H220-21	H220-20	H220-20
23*	PACKER	C683-076D	C683-076D	C683-050D	C683-050D
24	PACKING SPREADER	C713-017D	C713-017D	C713-003D	C713-003D
25	PACKING SPRING	D293-131Y	D293-131Y	D293-001Y	D293-001Y
26	PACKING KIT	C242-024D	C242-024D	C242-021D	C242-021D
27	UNION NUT	C663-022D-SS	C663-022D-SS	C663-022D-SS	C663-026D-SS
28	BODY	VP400-SS	VP401-SS	DB506-SS	DB507-SS
29*	GASKET	C383-080D	C383-080D	C383-082D	C383-082D
	SERVICE KIT	D621-S	D631-S	D641-S	D651-S

# DURBIN 500 PSI SERIES

DURBIN INDUSTRIAL VALVE

## BASIC 3-WAY PIPING SCHEMATIC



## ORDERING INFORMATION

**Example:** D2631= 3/4", 3-Way, Normally Closed, 500 psi Valve with NPT threaded ports

<b>D</b>				
	2-WAY 28	1/2" 2	N/O 0	NPT N
	3-WAY 26	3/4" 3	N/C 1	BSP B
		1" 4		
		1 1/4" 5		