

Durbin Industrial Valve
Angle Drain Valve Series



DURBIN ANGLE DRAIN VALVE

DURBIN INDUSTRIAL VALVE



Overview: The Durbin Angle Drain Valve (DVS) is designed to provide the user with a fast and reliable normally open drain valve. The angled design allows for a rapid depressurization of your vessel, and the stem head and stem completely retract out of the flow path to increase speed and efficiency during the drain sequence.

Materials of Construction: The wetted components are constructed entirely from corrosion-resistant materials. The valve body, actuating stem and seat are all constructed from stainless steel. The valve seal is made from a durable thermoplastic that withstands high temperatures and extreme process conditions. Packing consists of a strong PTFE material. Powder-coated spring and lids finish off this durable product offering to give an exceptional service life.

Application: The DVS is designed to withstand the toughest environments. Typically, this valve is used on the drain side or downstream side of a vessel where high-velocity evacuations are the normal service application. This angled design is superior in allowing any foreign material to exit the valve rather than getting lodged in the valve body as is the case with traditional up-and-over globe-style valves.

Features:

Valve Type: Angle [Globe](#)

Function: 2-way fixed orifice drain

Action: Normally Open

Actuation: Pneumatic

Pilot Range: 35-40 psi (2.4-2.8 bar)

Sizes: ¾" - 1½" (DN 20 to DN 40)

Pressure Ratings: Up to 500 psi (34 bar) ASME Class 300

Temperature Ratings: -40°F to 450°F (-40°C to 231°C)

Connection Style: Threaded (NPT/BSPT) & Flanged (B16.5)

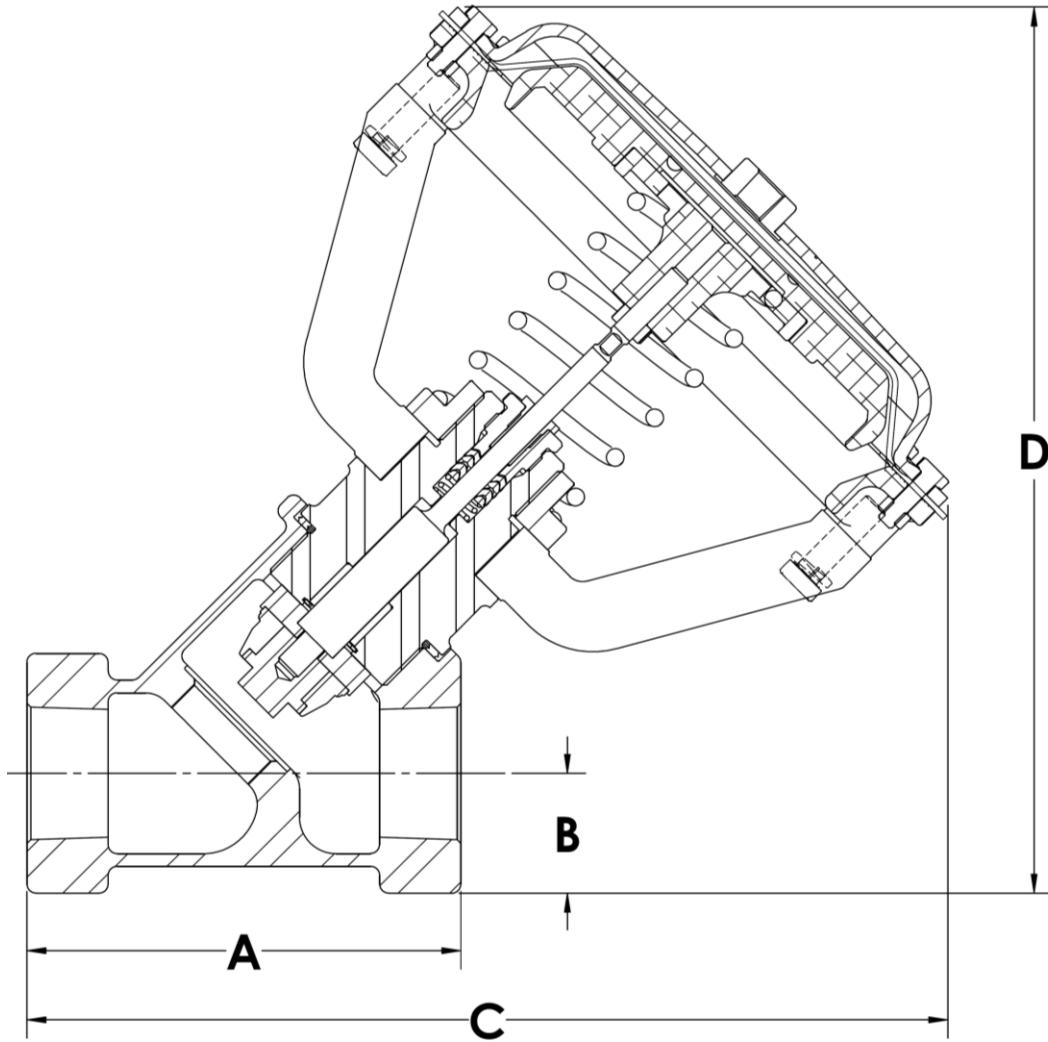
Seat Type: Soft Seat

Leakage Rate: ANSI/FCI 70-2 class VI

Cv: Maximum of 45

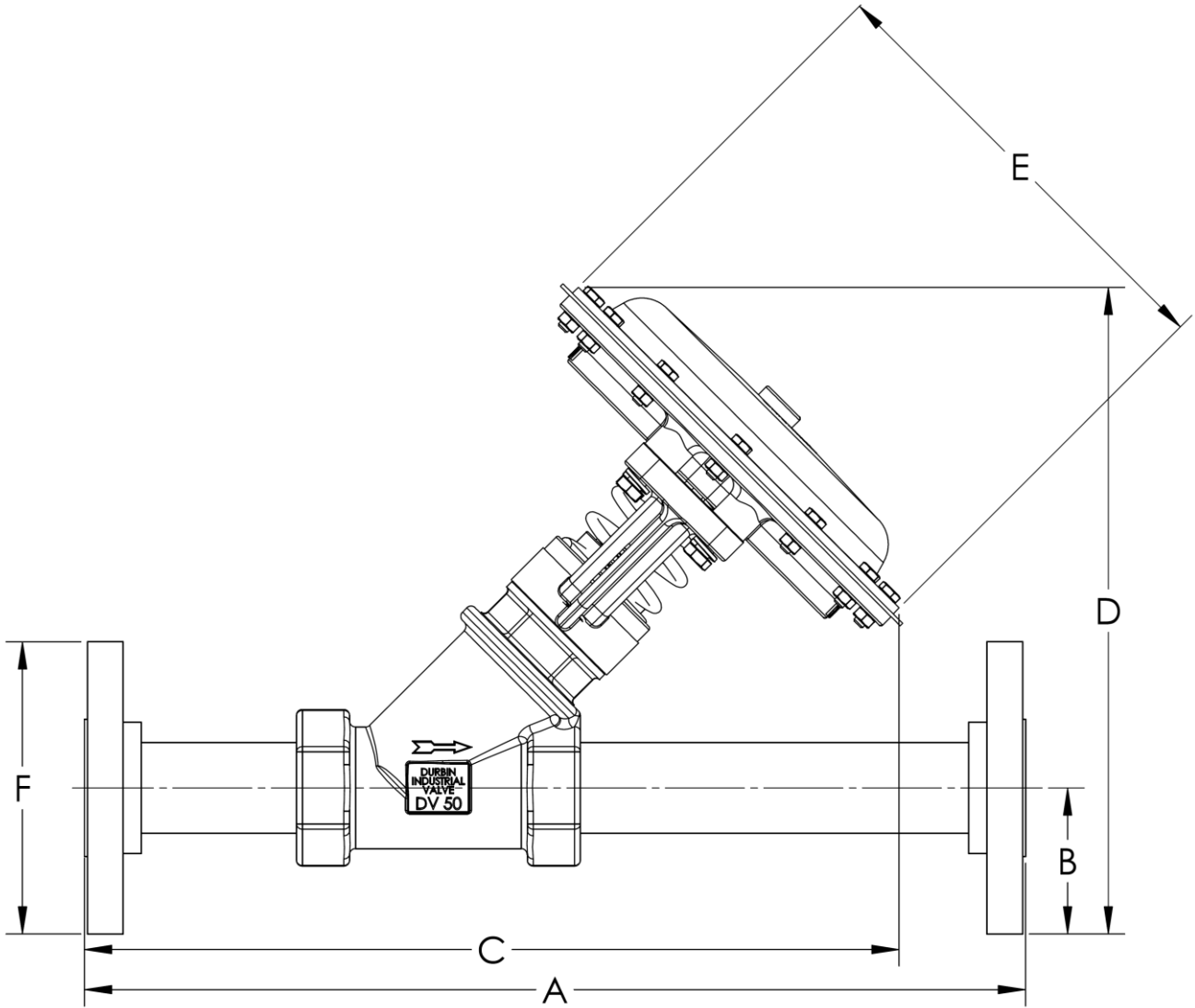
Media: Most process fluid types; gas, liquids and steam

NPT VALVE DIMENSIONS



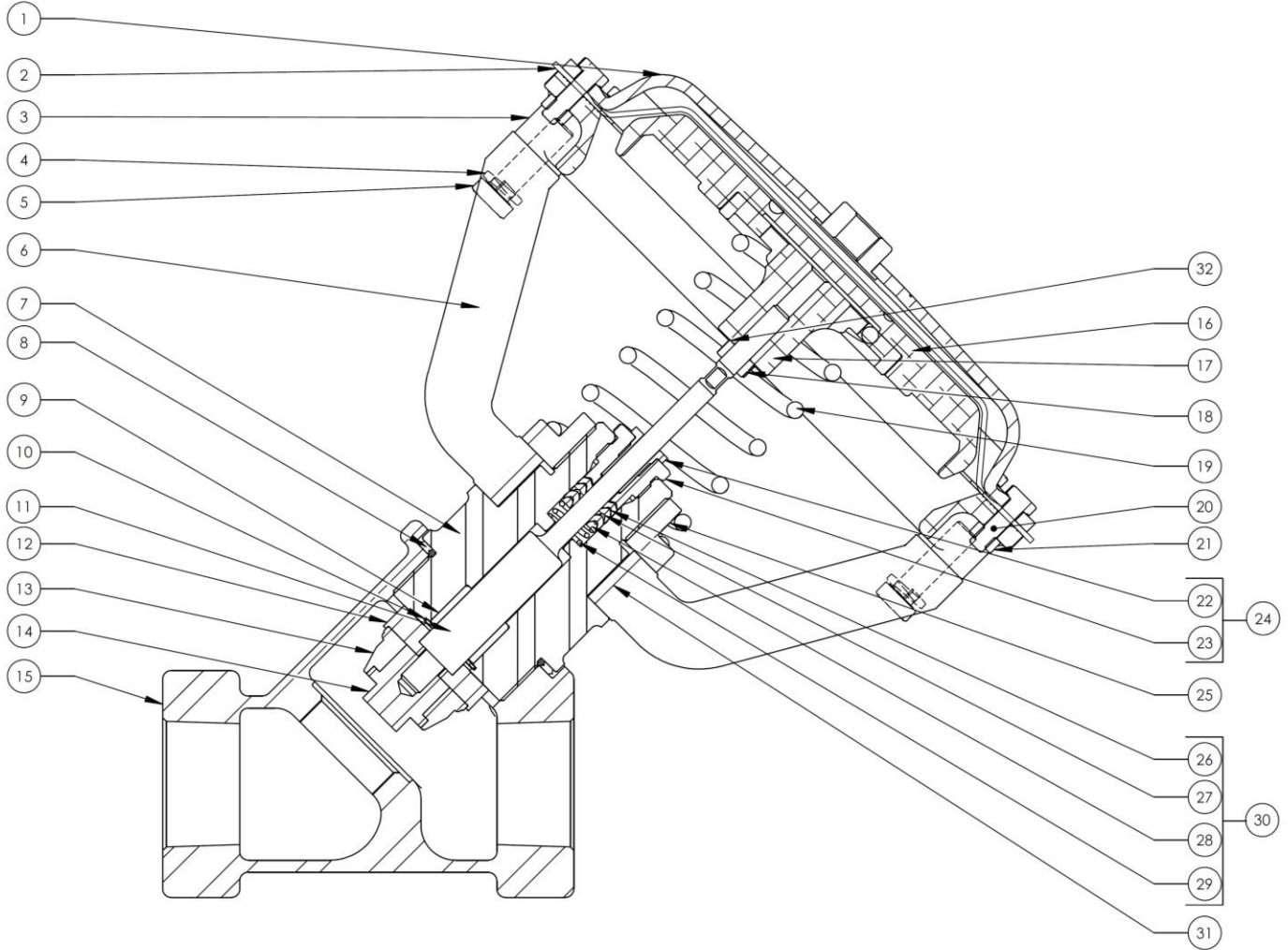
ITEM		A	B	C	D
DV20S	IN	4.38	1.39	9.63	9.50
	mm	111.0	35.0	245.0	241.0
DV30S	IN	4.38	1.39	11.20	11.10
	mm	111.0	35.0	285.0	282.0
DV40S	IN	4.38	1.39	11.20	11.10
	mm	111.0	35.0	285.0	282.0
DV50S	IN	5.95	1.65	12.62	12.13
	mm	151.0	42.0	321.0	308.0

FLANGED VALVE DIMENSIONS



ITEM		A	B	C	D	E	F
DV30SF	IN	15.38	2.44	14.20	12.16	9.50	4.88
	mm	391.0	62.0	361.0	309.0	241.0	124.0
DV50SF	IN	19.71	3.06	17.06	13.55	9.50	6.12
	mm	501.0	78.0	433.0	344.0	241.0	156.0

DURBIN ANGLE DRAIN VALVE PARTS LIST





DURBIN ANGLE DRAIN VALVE

DURBIN INDUSTRIAL VALVE

DURBIN ANGLE DRAIN VALVE PARTS LIST

ANGLE DRAIN VALVE					
	VALVE NUMBER	DV20S	DV30S	DV40S	DV50S
	SIZE	3/4" N/O	1" N/O	1 1/4" N/O	1 1/2" N/O
	Cv RATING	Cv 26	Cv 28	Cv 32	Cv 45
ITEM	DESCRIPTION	PART #	PART #	PART #	PART #
1	LID	C293-023DR	C293-030DR	C293-030DR	C293-030DR
2*	LOWER DIAPHRAGM	C333-053D	C333-051D	C333-051D	C333-051D
3	RING	C893-015D-SS	C893-022D-SS	C893-022D-SS	C893-022D-SS
4	LOCK WASHER	H175-21	H175-21	H175-21	H175-21
5	HEX BOLT 3/8	H096-55	H096-50	H096-50	H096-50
6	YOKE	DV258-SS	DV58-SS	DV58-SS	DV58-SS
7	PACKING GLAND	DV259-SS	DV259-SS	DV259-SS	DV59-SS
8*	GASKET	C383-074D	C383-074D	C383-074D	C383-028D
9	PACKING GLAND BUSHING	DV522	DV522	DV522	DV522
10	RETAINING RING	H090-19	H090-19	H090-19	H090-19
11	STEM	DV211	DV311	DV311	DV511
12	DISK WASHER	DV212	DV312	DV312	DV512
13*	SEAL	DV223	DV323	DV323	DV513
14	STEM NUT	DV214	DV314	DV314	DV514
15	BODY	DV234-SS	DV334-SS	DV434-SS	DV534-SS
16	LOWER PISTON	DV221-IC	C783-081D-AL	C783-081D-AL	C783-081D-AL
17	SPRING RET		C883-321D	C883-321D	C883-521D
18	HEX JAM NUT 5/16	C133-008D	C133-008D	C133-008D	C133-008D
19	NO SPRING	D293-070DR	D293-070DR	D293-070DR	D293-300DR
20	HEX BOLT 1/4	H096-10	H096-10	H096-10	H096-10
21	HEX NUT 1/4	H060-03	H060-03	H060-03	H060-03
22	PACKING NUT BUSHING	VP524	VP524	VP524	VP524
23	PACKING NUT	C853-092D	C853-092D	C853-092D	C853-092D
24	PACK NUT ASSY	C853-090D	C853-090D	C853-090D	C853-090D
25	YOKE RET NUT	DV231-SS	DV231-SS	DV231-SS	DV531-SS
26*	BLACK PACKER	C683-070D	C683-070D	C683-070D	C683-070D
27*	WHITE PACKER	C683-069D	C683-069D	C683-069D	C683-069D
28	PACKER SPREADER	C713-012D	C713-012D	C713-012D	C713-012D
29	PACKING SPRING	D293-104Y	D293-104Y	D293-104Y	D293-104Y
30	PACKING KIT	C242-015D	C242-015D	C242-015D	C242-015D
31	YOKE SPACER		DV315	DV315	
32	TOOTH WASHER	H177-05	H177-05	H177-05	H177-05
15-F	BODY		DV334F-SW		DV534F-SW

DURBIN ANGLE DRAIN VALVE SIZING CHART

NOMINAL VALVE SIZE	STYLE	DESCRIPTION		PSI	BAR	C _v
3/4"	2WNO	3/4"	MODEL	DV20S		26
			PRESSURE RATING	500	34	
1"	2WNO	1"	MODEL	DV30S		28
			PRESSURE RATING	500	34	
1-1/2"	2WNO	1-1/4"	MODEL	DV40S		32
			PRESSURE RATING	500	34	
1-1/2"	2WNO	1-1/2"	MODEL	DV50S		45
			PRESSURE RATING	500	34	

ORDERING INFORMATION

Example: DV30S-A = 1" with ANSI Flanges

