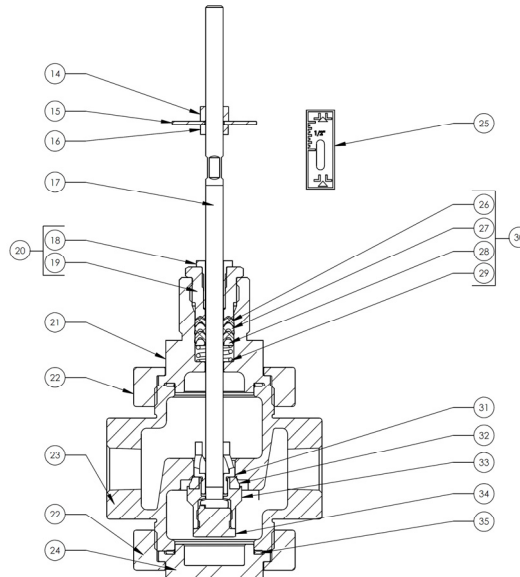




MODEL "V" CONTROL VALVES

DURBIN INDUSTRIAL VALVE



REVERSE ACTING PARTS LIST

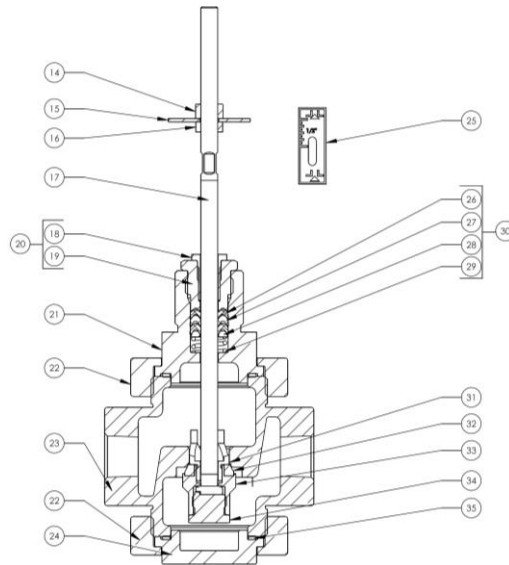
	VALVE NUMBER	D354-30061	D354-40061	D354-40071	D354-40561	D354-50061	D354-50071	D354-50671	D354-51661	D354-51671
	PORT SIZE/TRIM SIZE	1/2" ST 3/8" F	1/2" ST 1/2" F	1/2" LT 1/2" F	3/4" ST 1/2" F	3/4" ST 3/4" F	3/4" LT 3/4	1" LT 3/4" F	1" ST 1" F	1" LT 1" F
	CV RATING	Cv 3	Cv 6	Cv 6	Cv 6	CV10	Cv 11	Cv 11	Cv 11	Cv 15
ITEM	DESCRIPTION	PART #	PART #	PART #	PART #	PART #	PART #	PART #	PART #	PART #
1	LID	C293-023DR	C293-023DR	C293-023DR	C293-023DR	C293-023DR	C293-030DR	C293-030DR	C293-023DR	C293-030DR
2*	DIAPHRAGM	C333-053D	C333-053D	C333-053D	C333-053D	C333-053D	C333-051D	C333-051D	C333-053D	C333-051D
3	RING	C893-015D-SS	C893-015D-SS	C893-015D-SS	C893-015D-SS	C893-015D-SS	C893-022D-SS	C893-022D-SS	C893-015D-SS	C893-022D-SS
4	YOKE	D283-021D-SS	D283-021D-SS	D283-021D-SS	D283-021D-SS	D283-021D-SS	D283-061D-SS	D283-061D-SS	D283-021D-SS	D283-061D-SS
5	WASHER LOCK	H175-21	H175-21	H175-21	H175-21	H175-21	H175-21	H175-21	H175-21	H175-21
6	3/8" BOLT	H096-55	H096-55	H096-55	H096-55	H096-55	H096-50	H096-50	H096-50	H096-50
7	1/4" BOLT	H096-10	H096-10	H096-10	H096-10	H096-10	H096-10	H096-10	H096-10	H096-10
8	1/4" HEX NUT	H060-03	H060-03	H060-03	H060-03	H060-03	H060-03	H060-03	H060-03	H060-03
9	PISTON	C783-043D-IC	C783-043D-IC	C783-043D-IC	C783-043D-IC	C783-043D-IC	C783-081D-AL	C783-081D-AL	C783-043D-IC	C783-081D-AL
10	N/C SPRING	D293-070DR	D293-070DR	D293-070DR	D293-070DR	D293-070DR	D293-072DR	D293-072DR	D293-070DR	D293-072DR
11	UPPER STEM	D143-025D	D143-025D	D143-025D	D143-025D	D143-025D	D143-025D	D143-025D	D143-025D	D143-025D
12	ADJUSTING SCREW	C543-001D	C543-001D	C543-001D	C543-001D	C543-001D	C543-001D-SS	C543-001D-SS	C543-001D-SS	C543-001D-SS
13	ADJUSTING NUT	C133-009D	C133-009D	C133-010D	C133-009D	C133-009D	C133-010D	C133-010D	C133-009D	C133-010D
14	NUT	C133-005D	C133-005D	C133-005D	C133-005D	C133-005D	C133-005D	C133-005D	C133-005D	C133-005D
15	INDICATOR WASHER	C593-011D	C593-011D	C593-011D	C593-011D	C593-011D	C593-011D	C593-011D	C593-011D	C593-011D
16	NUT	C133-008D	C133-008D	C133-008D	C133-008D	C133-008D	C133-008D	C133-008D	C133-008D	C133-008D
17	N/C STEM	D093-019D	D093-019D	D093-019D	D093-019D	D093-019D	D093-019D	D093-019D	D093-019D	D093-019D
18	PACK NUT BUSHING	VP524	VP524	VP524	VP524	VP524	VP524	VP524	VP524	VP524
19	PACKING NUT	C853-092D	C853-092D	C853-092D	C853-092D	C853-092D	C853-092D	C853-092D	C853-092D	C853-092D
20	PACK NUT ASSY	C853-090D	C853-090D	C853-090D	C853-090D	C853-090D	C853-090D	C853-090D	C853-090D	C853-090D
21	PACKING GLAND	C113-058D	C113-058D	C113-058D	C113-058D	C113-059D-SS	C113-059D-SS	C113-059D-SS	C113-057D-SS	C113-059D-SS
22	UNION NUT	C663-022D-SS	C663-022D-SS	C663-026D-SS	C663-022D-SS	C663-022D-SS	C663-026D-SS	C663-026D-SS	C663-026D-SS	C663-026D-SS
23	BODY	VP400-SS	VP400-SS	VP400-SS	VP401-SS	VP505-SS	VP505-SS	VP508-SS	VP506-SS	VP506-SS
24	BOTTOM CAP	C213-016D-SS	C213-016D-SS	C213-016D-SS	C213-016D-SS	C213-020D-SS	C213-020D-SS	C213-020D-SS	C213-020D-SS	C213-028D-SS
25	N/C INDICATOR TAG	C009D	C009D	C009D	C009D	C009D	C011D	C011D	C011D	C011D
26*	PACKER	C683-070D	C683-070D	C683-070D	C683-070D	C683-070D	C683-070D	C683-070D	C683-070D	C683-070D
27*	PACKER	C683-069D	C683-069D	C683-069D	C683-069D	C683-069D	C683-069D	C683-069D	C683-069D	C683-069D
28	SPREADER	C713-012D	C713-012D	C713-012D	C713-012D	C713-012D	C713-012D	C713-012D	C713-012D	C713-012D
29	PACKING SPRING	D293-104Y	D293-104Y	D293-104Y	D293-104Y	D293-104Y	D293-104Y	D293-104Y	D293-104Y	D293-104Y
30	PACKING KIT	C242-015D	C242-015D	C242-015D	C242-015D	C242-015D	C242-015D	C242-015D	C242-015D	C242-015D
31	N/C LOWER VDISC	C343-010D-1	C913-009D	C913-009D	C913-009D	C343-021D	C343-021D	C343-021D	C343-029D	C343-029D
32*	SEAL	C343-12VP	C343-12VP	C343-12VP	C343-12VP	C343-34VP	C343-34VP	C343-34VP	C343-10VP	C343-10VP
33	UPPER DISC	C913-008D	C913-008D	C913-008D	C913-008D	C913-022D	C343-022D	C343-022D	C343-024D	C343-024D
34	DISK NUT	C913-010D	C913-010D	C913-010D	C913-010D	C913-010D	C913-010D	C913-010D	C913-010D	C913-010D
35*	GASKET	C383-080D	C383-080D	C383-080D	C383-082D	C383-082D	C383-082D	C383-082D	C383-082D	C383-082D
	SERVICE KIT	D3006-S	D4006-S	D4007-S	D4056-S	D5006-S	D5007-S	D5067-S	D5166-S	D5167-S

Please contact us for more information at Phone: 330.724.9968 Email: valve@durbinvalve.com Website: www.durbinvalve.com



MODEL "V" CONTROL VALVES

DURBIN INDUSTRIAL VALVE



REVERSE ACTING PARTS LIST

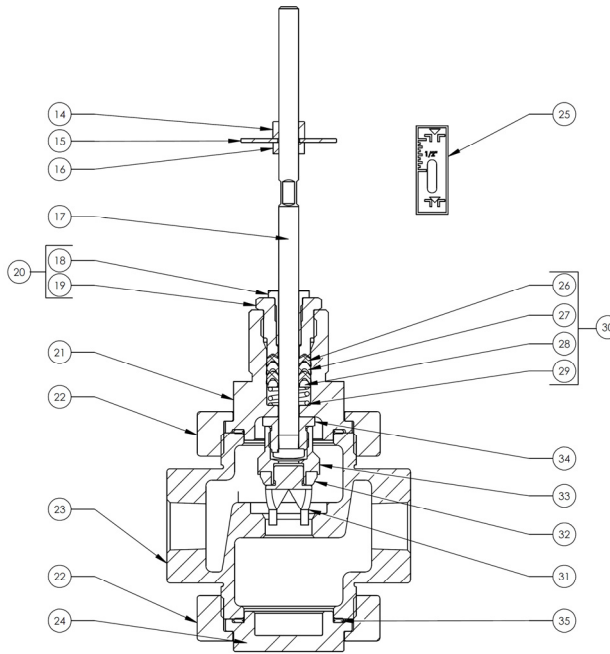
	VALVE NUMBER	D354-51771	D354-80071	D354-80971	D358-50071	D358-51671	D358-51771	D358-80071	D358-80971
	PORT SIZE/TRIM SIZE	1 1/4" LT 1" F	1-1/2" LT 1-1/2" F	2" LT 1-1/2" F	3/4" LT-H 3/4" F	1" LT-H 1" F	1-1/4" LT-H 1" F	1-1/2" LT-H 1-1/2" F	2" LT-H 1-1/2" F
	Cv RATING	Cv 15	Cv 32	Cv 32	Cv 11	Cv 15	Cv 15	Cv 32	Cv 32
ITEM	DESCRIPTION	PART #	PART#	PART#	PART #	PART #	PART #	PART#	PART#
1	LID	C293-030DR	C293-030DR	C293-030DR	C293-030DR	C293-030DR	C293-030DR	C293-030DR	C293-030DR
2*	DIAPHRAGM	C333-051D	C333-051D	C333-051D	C333-051D	C333-051D	C333-051D	C333-051D	C333-051D
3	RING	C893-022D-SS	C893-022D-SS	C893-022D-SS	C893-022D-SS	C893-022D-SS	C893-022D-SS	C893-022D-SS	C893-022D-SS
4	YOKE	D283-061D-SS	D283-061D-SS	D283-061D-SS	D283-061D-SS	D283-061D-SS	D283-061D-SS	D283-061D-SS	D283-061D-SS
5	WASHER LOCK	H175-21	H175-22	H175-22	H175-21	H175-21	H175-21	H175-22	H175-22
6	3/8" BOLT	H096-50	H096-50	H096-50	H096-50	H096-50	H096-50	H096-50	H096-50
7	1/4" BOLT	H096-10	H096-10	H096-10	H096-10	H096-10	H096-10	H096-10	H096-10
8	1/4" HEX NUT	H060-03	H060-04	H060-04	H060-03	H060-03	H060-03	H060-04	H060-04
9	PISTON	C783-081D-AL	C783-081D-AL	C783-081D-AL	C783-081D-AL	C783-081D-AL	C783-081D-AL	C783-081D-AL	C783-081D-AL
10	N/C SPRING	D293-072DR	D293-072DR	D293-072DR	D593-072-2DR	D293-072-2DR	D293-072-2DR	D293-072-2DR	D293-072-2DR
11	UPPER STEM	D143-025D	D143-025D	D143-025D	D143-027D	D143-027D	D143-027D	D143-027D	D143-027D
12	ADJUSTING SCREW	C543-001D-SS	C543-001D-SS	C543-001D-SS	C543-001D-SS	C543-001D-SS	C543-001D-SS	C543-001D-SS	C543-001D-SS
13	ADJUSTING NUT	C133-010D	C133-010D	C133-010D	C133-010D	C133-010D	C133-010D	C133-010D	C133-010D
14	NUT	C133-005D	C133-005D	C133-005D	C133-005D	C133-005D	C133-005D	C133-005D	C133-005D
15	INDICATOR WASHER	C593-011D	C593-011D	C593-011D	C593-011D	C593-011D	C593-011D	C593-011D	C593-011D
16	NUT	C133-008D	C133-008D	C133-008D	C133-008D	C133-008D	C133-008D	C133-008D	C133-008D
17	N/C STEM	D093-019D	D093-019D	D093-019D	D093-019D	D093-019D	D093-019D	D093-019D	D093-019D
18	PACK NUT BUSHING	VP524	VP524	VP524	VP524	VP524	VP524	VP524	VP524
19	PACKING NUT	C853-092D	C853-092D	C853-092D	C853-092D	C853-092D	C853-092D	C853-092D	C853-092D
20	PACK NUT ASSY	C853-090D	C853-090D	C853-090D	C853-090D	C853-090D	C853-090D	C853-090D	C853-090D
21	PACKING GLAND	C113-059D-SS	C113-061D	C113-061D	C113-059D-SS	C113-059D-SS	C113-059D-SS	C113-061D	C113-061D
22	UNION NUT	C663-026D-SS	C663-032D	C663-032D	C663-026D-SS	C663-026D-SS	C663-026D-SS	C663-032D	C663-032D
23	BODY	VP507-SS	C093-082D-SS	C093-101D-SS	VP505-SS	VP506-SS	VP507-SS	C093-082D-SS	C093-101D-SS
24	BOTTOM CAP	C213-028D-SS	C213-029D-SS	C213-029D-SS	C213-020D-SS	C213-028D-SS	C213-020D-SS	C213-029D-SS	C213-029D-SS
25	N/C INDICATOR TAG	C011D	C011D	C011D	C011D	C011D	C011D	C011D	C011D
26*	PACKER	C683-070D	C683-070D	C683-070D	C683-070D	C683-070D	C683-070D	C683-070D	C683-070D
27*	PACKER	C683-069D	C683-069D	C683-069D	C683-069D	C683-069D	C683-069D	C683-069D	C683-069D
28	SPREADER	C713-012D	C713-012D	C713-012D	C713-012D	C713-012D	C713-012D	C713-012D	C713-012D
29	PACKING SPRING	D293-104Y	D293-104Y	D293-104Y	D293-104Y	D293-104Y	D293-104Y	D293-104Y	D293-104Y
30	PACKING KIT	C242-015D	C242-015D	C242-015D	C242-015D	C242-015D	C242-015D	C242-015D	C242-015D
31	N/C LOWER VDISC	C343-029D	C343-035D	C343-035D	C343-021D	C343-029D	C343-029D	C343-035D	C343-035D
32*	SEAL	C343-10VP	C343-33VP	C343-33VP	C343-34VP	C343-34VP	C343-10VP	C343-33VP	C343-33VP
33	UPPER DISC	C343-024D	C343-036D	C343-036D	C343-022D	C343-022D	C343-022D	C343-036D	C343-036D
34	DISK NUT	C913-010D	C913-010D	C913-010D	C913-010D	C913-010D	C913-010D	C913-010D	C913-010D
35*	GASKET	C383-082D	C383-034D	C383-034D	C383-082D	C383-082D	C383-082D	C383-034D	C383-034D
	SERVICE KIT	D5177-S	D8007-S	D8097-S	D5007H-S	D5167H-S	D5177H-S	D8007H-S	D8097H-S

Please contact us for more information at Phone: 330.724.9968 Email: valve@durbinvalve.com Website: www.durbinvalve.com



MODEL "V" CONTROL VALVES

DURBIN INDUSTRIAL VALVE



DIRECT ACTING PARTS LIST

	VALVE NUMBER	D364-30061	D364-40061	D364-40071	D364-40561	D354-50061	D364-50071	D364-50671	D364-51661	D364-51671	D364-51771	D364-80071
	PORT SIZE/TRIM SIZE	1/2" ST 3/8" F	1/2" ST 1/2" F	1/2" LT 1/2" F	3/4" ST 1/2" F	3/4" ST 3/4" F	3/4" LT 3/4" F	1" LT 3/4" F	1" ST 1" F	1" LT 1" F	1-1/4" LT 1" F	1 1/2" LT
	Cv RATING	Cv 3	Cv 6	Cv 6	Cv 6	Cv 10	Cv 11	Cv 11	Cv 15	Cv 15	Cv 15	Cv 35
ITEM	DESCRIPTION	PART #	PART #	PART #	PART #	PART #	PART #	PART #	PART #	PART #	PART #	PART #
1	LID	C293-023DR	C293-023DR	C293-030DR	C293-023DR	C293-023DR	C293-030DR	C293-030DR	C293-023DR	C293-030DR	C293-030DR	C293-030DR
2*	DIAPHRAGM	C333-053D	C333-053D	C333-051D	C333-053D	C333-053D	C333-051D	C333-051D	C333-053D	C333-051D	C333-051D	C333-051D
3	RING	C893-015D-SS	C893-015D-SS	C893-022D-SS	C893-015D-SS	C893-015D-SS	C893-022D-SS	C893-022D-SS	C893-015D-SS	C893-022D-SS	C893-022D-SS	C893-022D-SS
4	YOKE	D283-021D-SS	D283-021D-SS	D283-061D-SS	D283-021D-SS	D283-021D-SS	D283-061D-SS	D283-061D-SS	D283-021D-SS	D283-061D-SS	D283-061D-SS	D283-061D-SS
5	LOCK WASHER	H175-21	H175-21	H175-21	H175-21	H175-21	H175-21	H175-21	H175-21	H175-21	H175-21	H175-22
6	3/8" BOLT	H096-55	H096-55	H096-55	H096-55	H096-55	H096-50	H096-50	H096-55	H096-50	H096-50	H096-50
7	1/4" BOLT	H096-10	H096-10	H096-10	H096-10	H096-10	H096-10	H096-10	H096-10	H096-10	H096-10	H096-10
8	1/4" HEX NUT	H060-03	H060-03	H060-03	H060-03	H060-03	H060-03	H060-03	H060-03	H060-03	H060-03	H060-04
9	PISTON	C783-043D-IC	C783-043D-IC	C783-081D-AL	C783-043D-IC	C783-043D-IC	C783-081D-AL	C783-081D-AL	C783-043D-IC	C783-081D-AL	C783-081D-AL	C783-081D-AL
10	N/O SPRING	D293-069DR	D293-069DR	D293-071DR	D293-069DR	D293-070DR	C293-071DR	C293-071DR	D293-069DR	C293-071DR	D293-071DR	D293-071DR
11	UPPER STEM	D143-025D	D143-025D	D143-025D	D143-025D	D143-025D	D143-025D	D143-025D	D143-025D	D143-025D	D143-025D	D143-025D
12	ADJUSTING SCREW	C543-001D-SS	C543-001D-SS	C543-001D-SS	C543-001D-SS	C543-001D	C543-001D-SS	C543-001D-SS	C543-001D-SS	C543-001D-SS	C543-001D-SS	C543-001D-SS
13	ADJUSTING NUT	C133-009D	C133-009D	C133-010D	C133-009D	C133-009D	C133-010D	C133-010D	C133-010D	C133-010D	C133-010D	C133-010D
14	NUT	C133-005D	C133-005D	C133-005D	C133-005D	C133-005D	C133-005D	C133-005D	C133-005D	C133-005D	C133-005D	C133-005D
15	INDICATOR WASHER	C593-011D	C593-011D	C593-011D	C593-011D	C593-011D	C593-011D	C593-011D	C593-011D	C593-011D	C593-011D	C593-011D
16	NUT	C133-008D	C133-008D	C133-008D	C133-008D	C133-008D	C133-008D	C133-008D	C133-008D	C133-008D	C133-008D	C133-008D
17	N/O STEM	D093-022D	D093-022D	D093-022D	D093-022D	D093-019D	D093-022D	D093-022D	D093-022D	D093-022D	D093-022D	D093-022D
18	PACK NUT BUSHING	VP524	VP524	VP524	VP524	VP524	VP524	VP524	VP525	VP524	VP524	VP524
19	PACKING NUT	C853-092D	C853-092D	C853-092D	C853-092D	C853-092D	C853-092D	C853-092D	C853-092D	C853-092D	C853-092D	C853-092D
20	PACKING NUT ASSY	C853-090D	C853-090D	C853-090D	C853-090D	C853-090D	C853-090D	C853-090D	C853-090D	C853-090D	C853-090D	C853-090D
21	PACKING GLAND	C113-058D	C113-058D	C113-058D	C113-058D	C113-059D-SS	C113-059D-SS	C113-059D-SS	C113-057D-SS	C113-057D-SS	C113-057D-SS	C113-061D
22	UNION NUT	C336-022D-SS	C336-022D-SS	C663-022D-SS	C663-022D-SS	C663-022D-SS	C663-026D-SS	C663-026D-SS	C663-022D-SS	C663-026D-SS	C663-026D-SS	C663-032D
23	BODY	VP400-SS	VP400-SS	VP400-SS	VP401-SS	VP505-SS	VP505-SS	VP508-SS	VP506-SS	VP506-SS	VP507-SS	C093-082D-SS
24	BOTTOM CAP	C213-016D-SS	C213-016D-SS	C213-016D-SS	C213-016D-SS	C213-020D-SS	C213-020D-SS	C213-020D-SS	C213-020D-SS	C213-020D-SS	C213-020D-SS	C213-029D
25	N/O INDICATOR TAG	C008D	C008D	C008D	C008	C009D	C010D	C010D	C008D	C010D	C010D	C010D
26*	PACKER	C683-070D	C683-070D	C683-070D	C683-070D	C683-070D	C683-070D	C683-070D	C683-0070D	C683-070D	C683-070D	C683-070D
27*	PACKER	C683-069D	C683-069D	C683-069D	C683-069D	C683-069D	C683-069D	C683-069D	C683-0699D	C683-069D	C683-069D	C683-069D
28	SPREADER	C713-012D	C713-012D	C713-012D	C713-012D	C713-012D	C713-012D	C713-012D	C713-012D	C713-012D	C713-012D	C713-012D
29	PACKING SPRING	D293-104Y	D293-104Y	D293-104Y	D293-104Y	D293-104Y	D293-104Y	D293-104Y	D293-1104Y	D293-104Y	D293-104Y	D293-104Y
30	PACKING KIT	C242-015D	C242-015D	C242-015D	C242-015D	C242-015D	C242-015D	C242-015D	C242-0155D	C242-015D	C242-015D	C242-015D
31	N/O LOWER VDISC	C343-008D-1	C553-007D	C553-007D	C553-007D	C553-007D	C343-023D	C343-023D	C343-0D-1	C343-025D	C343-025D	C343-038D
32	SEAL	C343-12VP	C343-12VP	C343-12VP	C343-12VP	C343-12VP	C343-34VP	C343-34VP	C343-112VP	C343-10VP	C343-10VP	C343-33VP
33	UPPER DISC	C913-008D	C913-008D	C913-008D	C913-008D	C913-008D	C343-022D	C343-022D	C343-008D	C343-024D	C343-024D	C343-036D
34	DISC NUT	C553-008D	C553-008D	C553-008D	C553-008D	C553-008D	C553-008D	C553-008D	C553-008D	C553-008D	C553-008D	C553-008D
35*	GASKET	C383-080D	C383-080D	C383-080D	C383-080D	C383-080D	C383-082D	C383-082D	C383-080D	C383-082D	C383-082D	C383-034D
	SERVICE KIT	D3006-S	D4006-S	D4007-S	D4056-S	D5006-S	D5007-S	D5067-S	D5166-S	D5167-S	D5177-S	D8007-S

Please contact us for more information at Phone: 330.724.9968 Email: valve@durbinvalve.com Website: www.durbinvalve.com

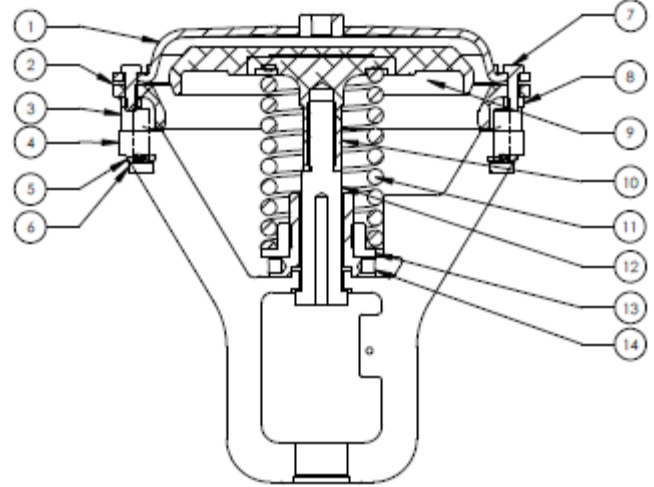


MODEL "V" CONTROL VALVES

DURBIN INDUSTRIAL VALVE

TOP ASSEMBLY PARTS LIST

TOP ASSEMBLY				
ITEM	DESCRIPTION	#1 TOP	#2 TOP	#2 TOP HEAVY
		PART#	PART#	PART#
1	LID	C293-023DR	C293-030DR	C293-030DR
2	DIAPHRAGM	C333-053D	C333-051D	C333-051D
3	RING	C893-015D-SS	C893-022D-SS	C893-022D-SS
4	YOKE	D283-021D-SS	D283-061D-SS	D283-061D-SS
5	LOCK WASHER	H175-21	H175-22	H175-23
6	YOKE HEX BOLT	H096-55	H096-50	H096-50
7	LID HEX BOLT	H096-10	H096-10	H096-10
8	LID HEX NUT	H060-03	H060-03	H060-03
9	PISTON	C783-043D-IC	C783-081D-AL	C783-081D-AL
10	SPRING RETAINER		C883-068D	C883-068D
11	SPRING NC	D293-070DR	D293-072DR	D293-072-2DR
	SPRING NO	D293-069DR	D293-071DR	
12	UPPER STEM	D143-025D	D143-025D	D143-027D
13	ADJUSTING SCREW	C543-001D	C543-001D	C543-001D
14	ADJUSTING NUT	C133-009D	C133-010D	C113-010



VALVE OPERATING PRESSURES

NORMALLY OCLOSED				
VALVE NUMBER	OPERATING PRESSURE	TRIM SIZE	PORT SIZE	TOP SIZE
D354-30061	250	3/8"	1/2" NPT	#1
D354-40061	250	1/2"	1/2" NPT	#1
D354-40071	250	1/2"	1/2" NPT	#2
D354-40561	250	1/2"	3/4" NPT	#1
D354-50061	115	3/4"	3/4" NPT	#1
D354-50071	220	3/4"	3/4" NPT	#2
D354-50671	220	3/4"	1" NPT	#2
D354-51661	75	1"	1" NPT	#1
D354-51671	150	1"	1" NPT	#2
D354-51771	150	1"	1-1/4" NPT	#2
D354-80071	50	1-1/2"	1-1/2" NPT	#2
D354-80971	50	1-1/2"	2" NPT	#2
D358-50071	250	3/4"	3/4" NPT	#2H
D358-51671	250	1"	1" NPT	#2H
D358-51771	250	1"	1-1/4" NPT	#2H
D358-80071	135	1-1/2"	1-1/2" NPT	#2H
D358-80971	135	1-1/2"	2" NPT	#2H

NORMALLY OPEN				
VALVE NUMBER	OPERATING PRESSURE	TRIM SIZE	PORT SIZE	TOP SIZE
D364-30061	250	3/8"	1/2" NPT	#1
D364-40061	250	1/2"	1/2" NPT	#1
D364-40071	250	1/2"	1/2" NPT	#2
D364-40561	250	1/2"	3/4" NPT	#1
D364-50061	150	3/4"	3/4" NPT	#1
D364-50071	250	3/4"	3/4" NPT	#2
D364-50671	250	3/4"	1" NPT	#2
D364-51661	75	1"	1" NPT	#1
D364-51671	250	1"	1" NPT	#2
D364-51771	250	1"	1-1/4" NPT	#2
D364-80071	90	1-1/2"	1-1/2" NPT	#2